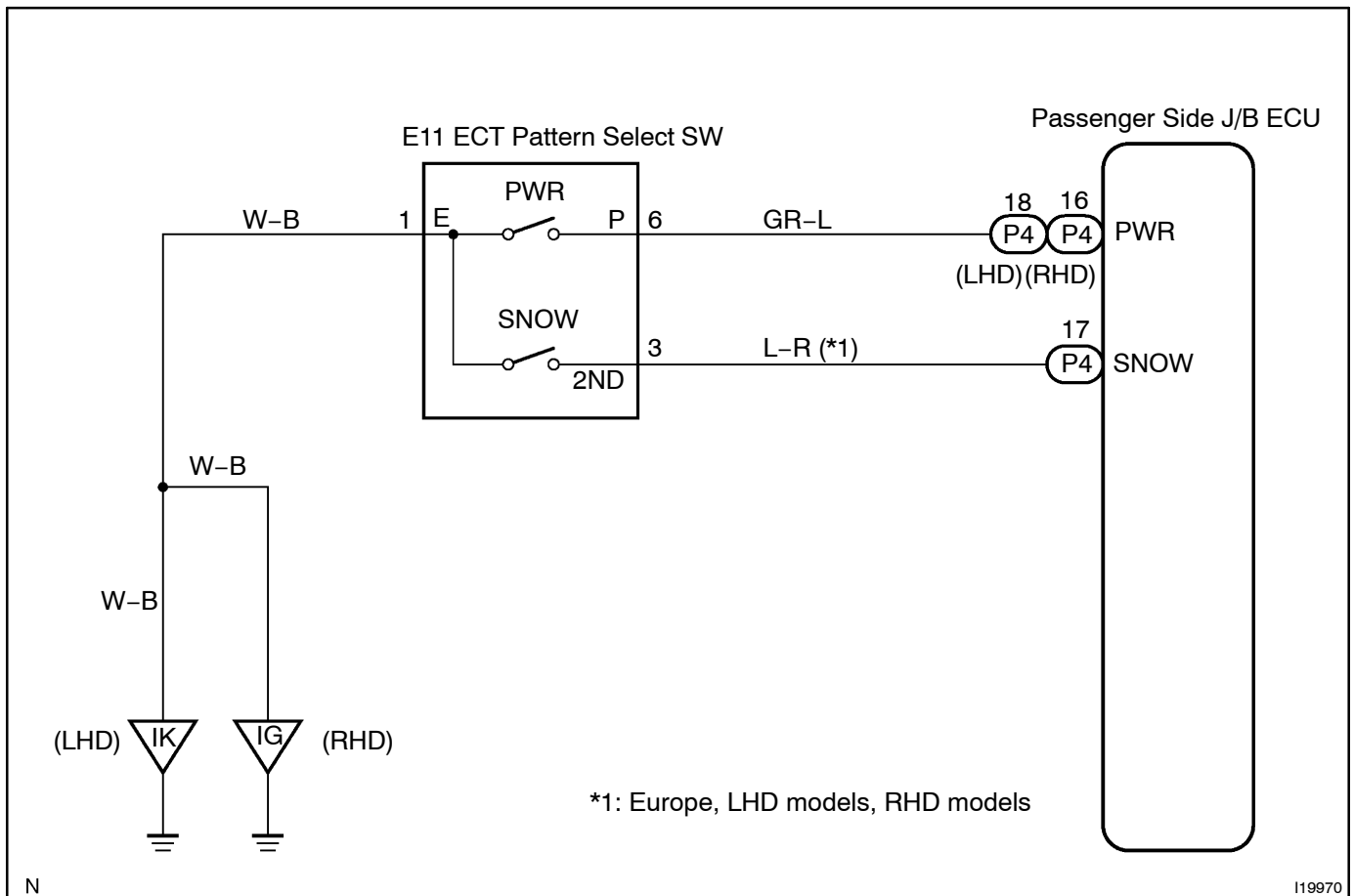


Pattern Select Switch Circuit

CIRCUIT DESCRIPTION

Passenger sides J/B ECU detects the state of the pattern select switch.

WIRING DIAGRAM



N

I19970

INSPECTION PROCEDURE

HINT:

In case of using the LEXUS hand-held tester, start the inspection from step 1 and in case of not using the LEXUS hand-held tester, start from step 2.

1 Check the pattern select switch using LEXUS hand-held tester.

PREPARATION:

Connect the LEXUS hand-held tester to the DLC3.

CHECK:

Check the pattern select switch using DATA LIST.

OK

Proceed to next circuit inspection shown on problem symptoms table (See page DI-1071).

NG

2 Check the pattern select switch (See page DI-240).

NG

Replace the pattern select switch.

OK

3 Check wire harness and connector between pattern select switch and passenger side J/B ECU (See page N-35).

NG

Repair or replace wireharness or connector.

OK

Proceed to next circuit inspection shown on problem symptoms table (See page DI-1071).