

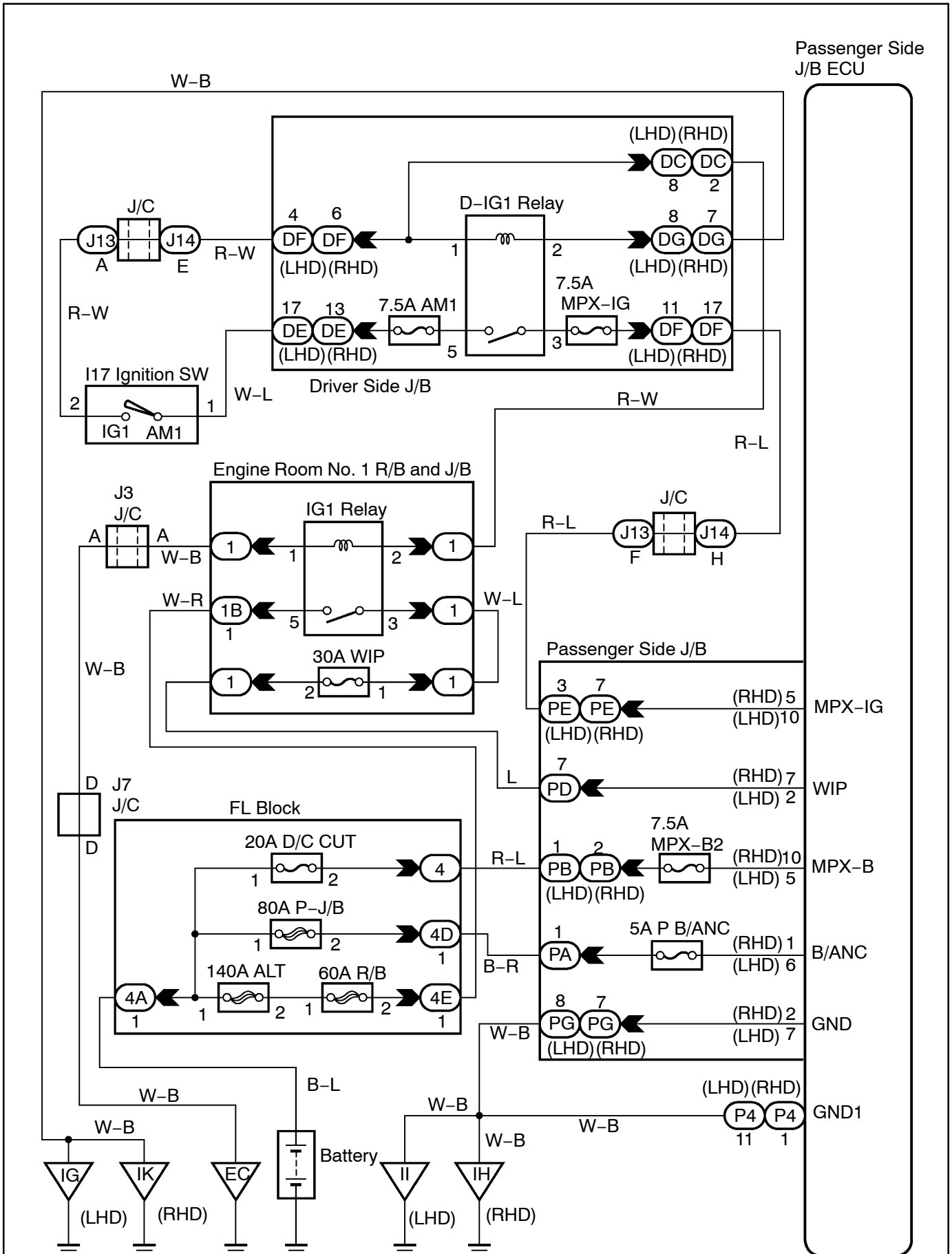
CIRCUIT INSPECTION

Power Source Circuit

CIRCUIT DESCRIPTION

This circuit provides power to operate the passenger side J/B ECU.

WIRING DIAGRAM



INSPECTION PROCEDURE

1 Check MPX-IG, MPX-B1, WIP and P/B/ANC fuse.

CHECK:

Check continuity of MPX-IG, MPX-B1, WIP and P/B/ANC fuse.

OK:

Continuity

NG

Replace the failure fuse.

OK

2 Check voltage between terminal MPX-B, MPX-IG, WIP, P/B/ANC, ACC and GND of passenger side junction block.

PREPARATION:

Turn the ignition switch ON.

CHECK:

Measure voltage between terminals MPX-IG, ACC and GND and body ground of the passenger side J/B.

PREPARATION:

- (a) Turn the ignition switch OFF.
- (b) Disconnect the passenger side junction block.

CHECK:

Measure voltage between terminals MPX-B, WIP, P/B/ANC and GND and body ground of the passenger side J/B.

OK:

Voltage: 10 - 14 V

OK

Proceed to next circuit inspection shown on problem symptom table (See page DI-1071).

NG

3 Check wire harness and connector between passenger side J/B ECU and body ground (See page IN-35).

NG

Repair or replace wire harness or connector.

OK

Proceed to next circuit inspection shown on problem/symptom table (See page DI-1071).