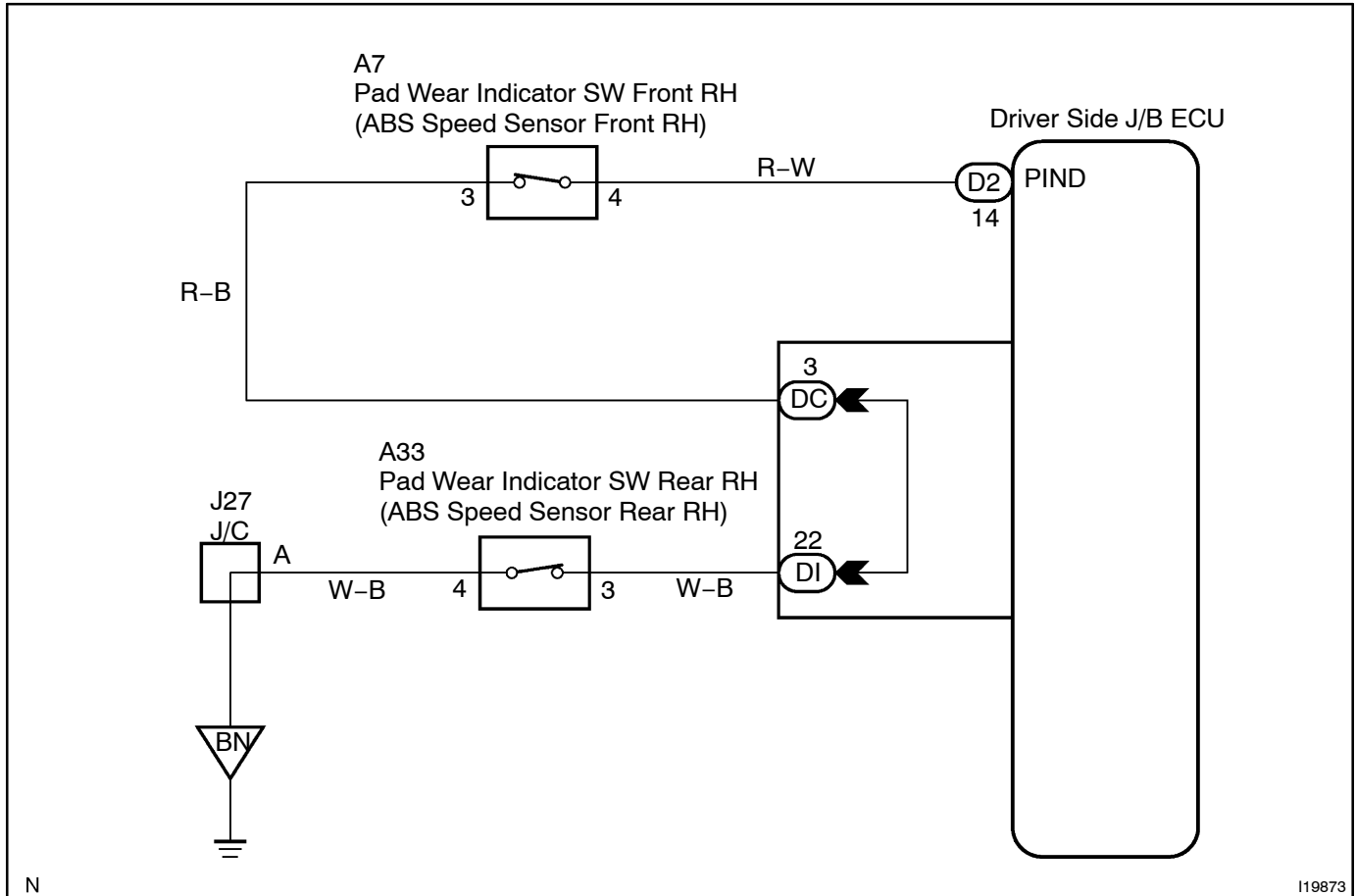


Brake Pad Sensor Circuit (RHD only)

CIRCUIT DESCRIPTION

The Driver side J/B ECU receives the brake pad sensor signal and sends it to the combination meter.

WIRING DIAGRAM



N

119873

INSPECTION PROCEDURE**HINT:**

In case of using the LEXUS hand-held tester, start the inspection from step 1 and in case of not using the LEXUS hand-held tester, start from step 2.

1 Check the brake pad sensor using LEXUS hand-held tester.

PREPARATION:

Connect the LEXUS hand-held tester to the DLC3.

CHECK:

Check the brake pad sensor using DATA LIST.

OK

Proceed to next circuit inspection shown on problem symptom table (See page DI-1012).

NG

2 Check the brake pad sensor (See page BR-35).

NG

Replace the brake pad sensor.

OK

3 Check wire harness and connector between brake pad sensor and driver side J/B ECU (See page IN-35).

NG

Repair or replace wire harness or connector.

OK

Proceed to next circuit inspection shown on problem symptom table (See page DI-1012).