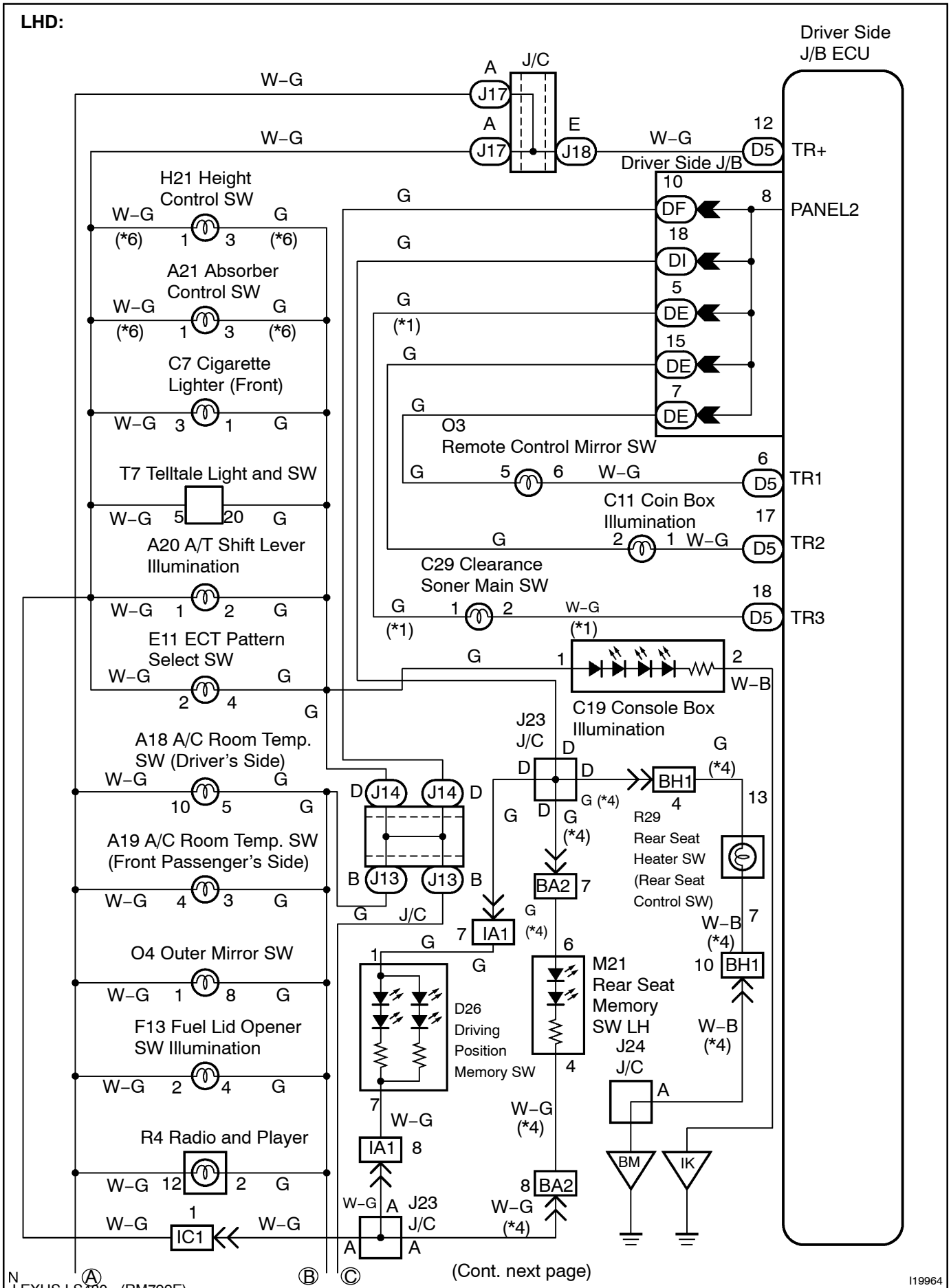


illumination (Door courtesy switch signal) Circuit

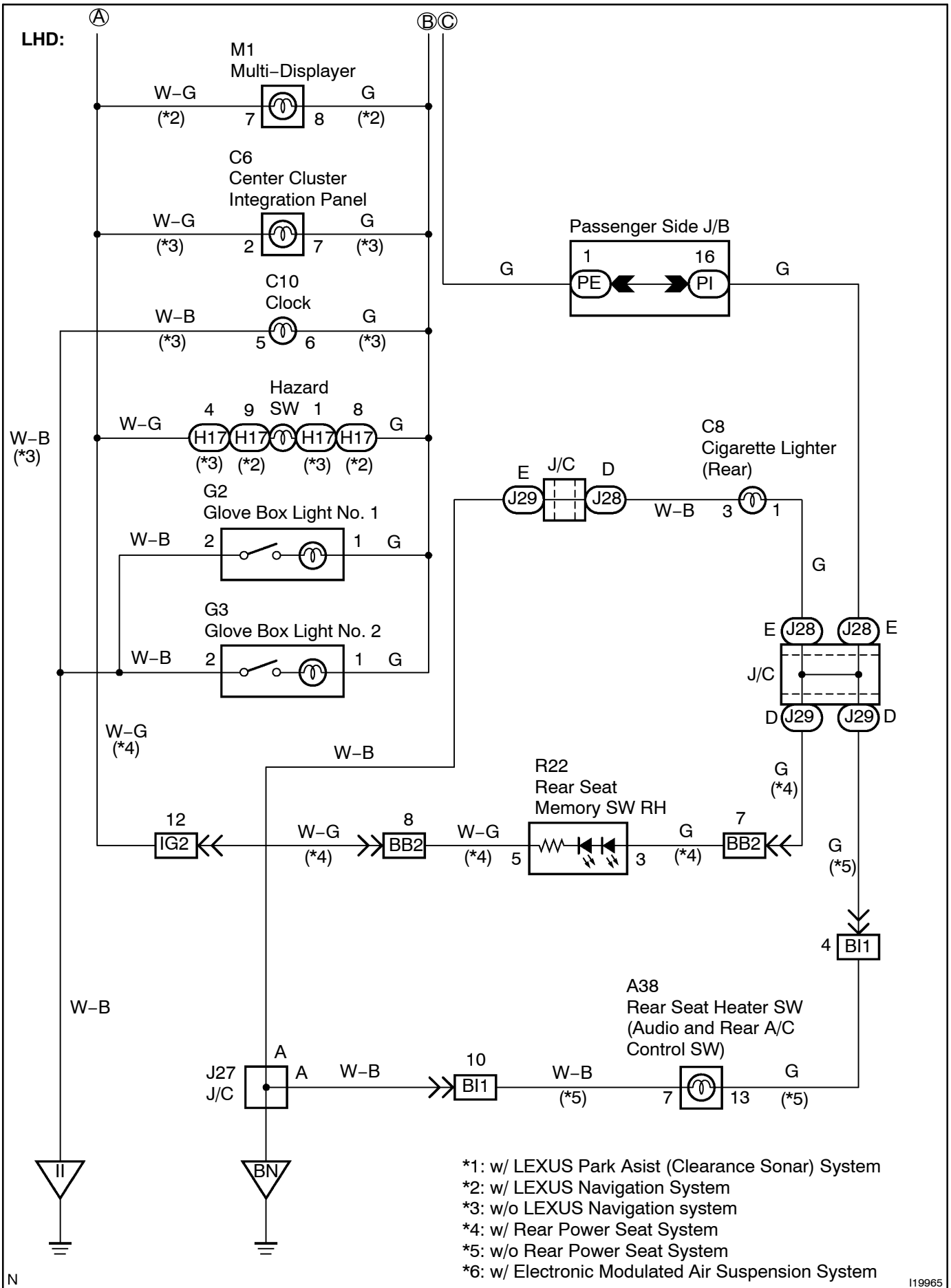
CIRCUIT DESCRIPTION

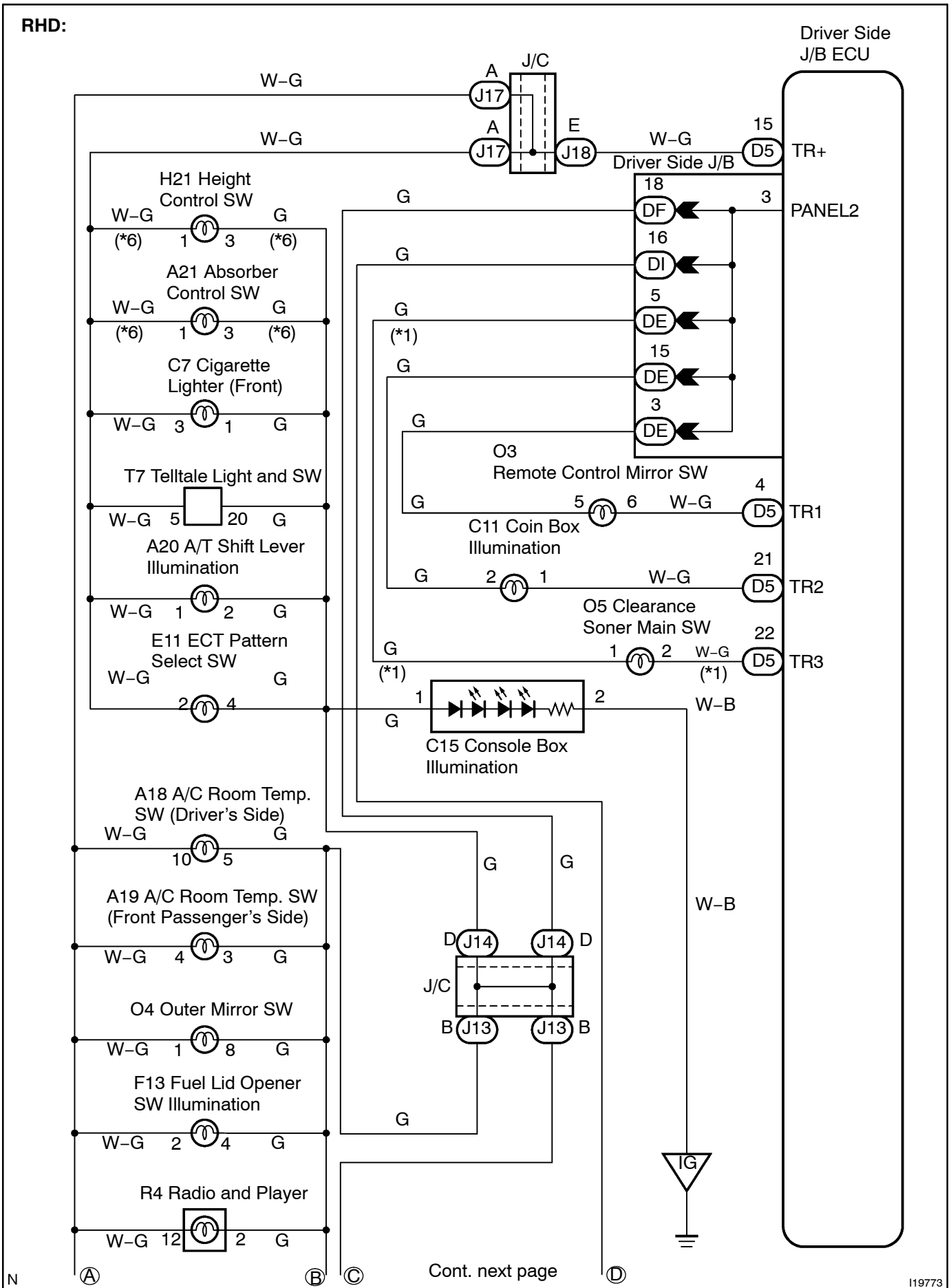
Receiving the courtesy signal from the door ECU, the Driver side J/B ECU makes the switch illuminations and the meter illumination come on.

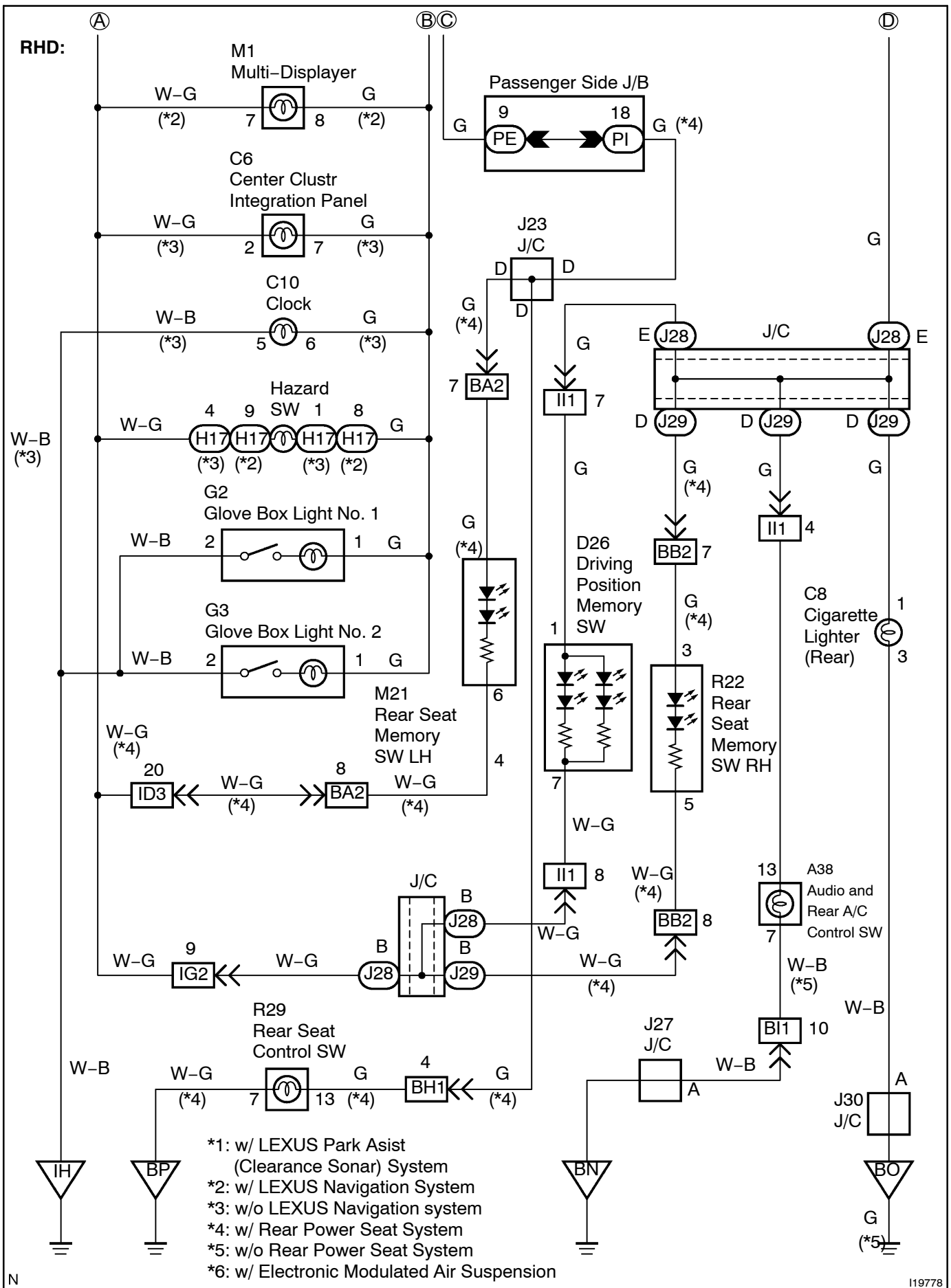
WIRING DIAGRAM



(Cont. next page)







INSPECTION PROCEDURE

HINT:

In case of using the LEXUS hand-held tester, start the inspection from step 1 and in case of not using the LEXUS hand-held tester, start from step 2.

- | | |
|----------|--|
| 1 | Check the illumination (switch illuminations, instrument panel illuminations) using LEXUS hand-held tester. |
|----------|--|

PREPARATION:

Connect the LEXUS hand-held tester to the DLC3.

CHECK:

Check that the illumination can light in an ACTIVE TEST.

OK

Proceed to next circuit inspection shown on problem symptom table (See page DI-1071).

NG

- | | |
|----------|---|
| 2 | Check the illumination light (See page BE-52). |
|----------|---|

NG

Replace the illumination light.

OK

- | | |
|----------|---|
| 3 | Check wire harness and connector between illumination light and driver side J/B ECU, battery and each illumination light (See page IN-35). |
|----------|---|

NG

Repair or replace wire harness or connector.

OK

Proceed to next circuit inspection shown on problem symptom table (See page DI-1012).