

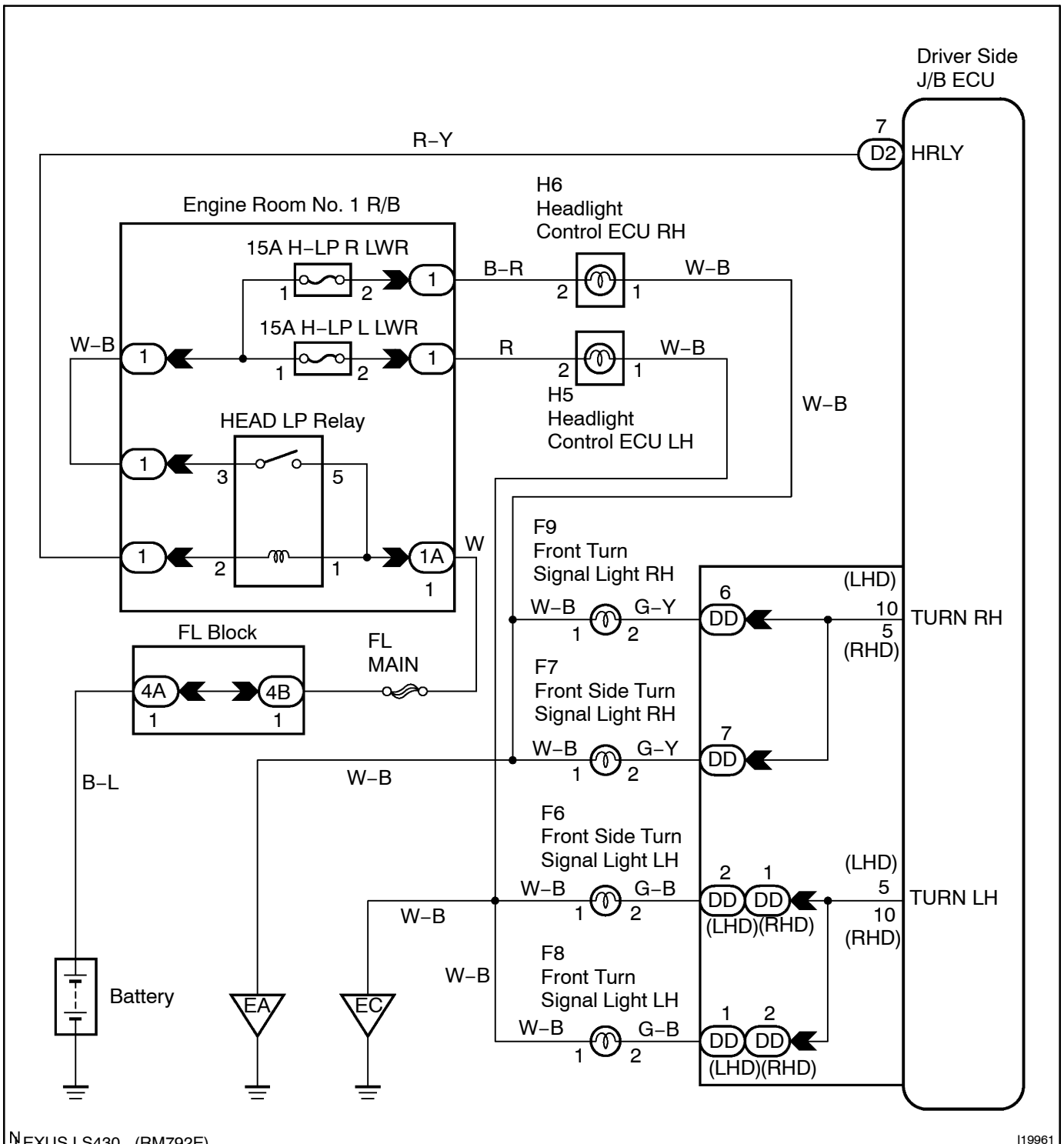
Turn Signal Light Circuit

CIRCUIT DESCRIPTION

Receiving the signal of the turn signal switch from the combination switch, the Driver side J/B ECU makes the turn signal light come on.

Drive Side J/B ECU activates the flasher relay while the theft deterrent system gives the warning and lights the turn signal light and the hazard warning light.

WIRING DIAGRAM



INSPECTION PROCEDURE**HINT:**

In case of using the LEXUS hand-held tester, start the inspection from step 1 and in case of not using the LEXUS hand-held tester, start from step 2.

1 Check the turn signal light using LEXUS hand-held tester.

PREPARATION:

Connect the LEXUS hand-held tester to the DLC3.

CHECK:

Check that the turn signal light can operate in an ACTIVE TEST.

HINT:

LH and RH can be checked with test separately.

OK

Proceed to next circuit inspection shown on problem symptom table (See page DI-1012).

NG

2 Check the turn signal light bulb.

NG

Replace the turn signal light bulb.

OK

3 Check wire harness and connector between turn signal light and driver side J/B ECU (See page IN-35).

NG

Repair or replace wire harness or connector.

OK

Proceed to next circuit inspection shown on problem symptom table (See page DI-1012).