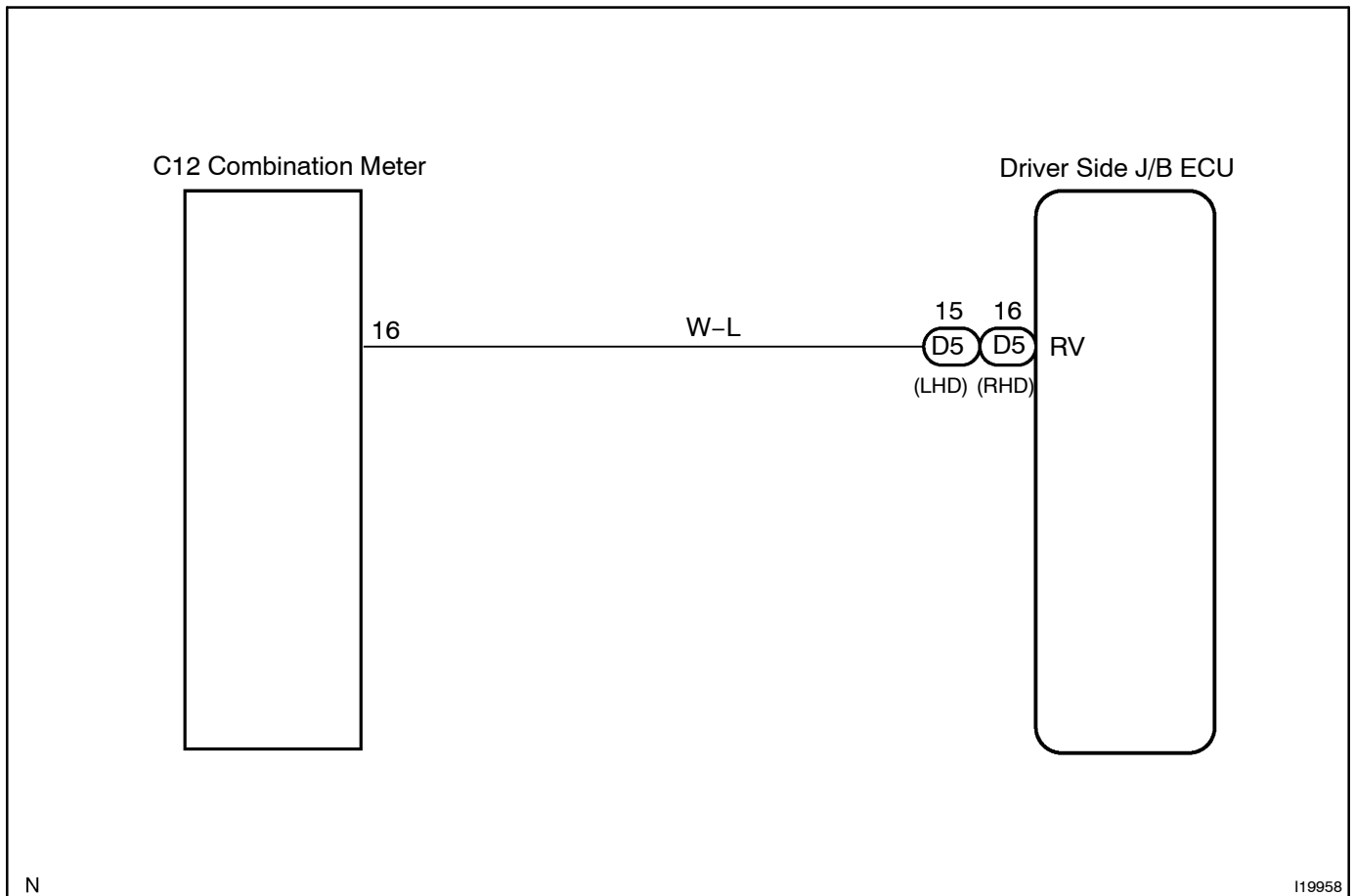


Combination Meter Circuit

CIRCUIT DESCRIPTION

The Driver side J/B ECU receives the signals of the light control sensor and the rheostat light control volume to conduct the illumination control of the meter illumination.

WIRING DIAGRAM



INSPECTION PROCEDURE

1 Check the combination meter (See page BE-73).

NG

Replace the combination meter.

OK

2 Check wire harness and connector between combination meter and driver side J/B ECU (See page IN-35).

NG

Repair or replace wire harness or connector.

OK

Proceed to next circuit inspection shown on problem symptom table (See page DI-1012).