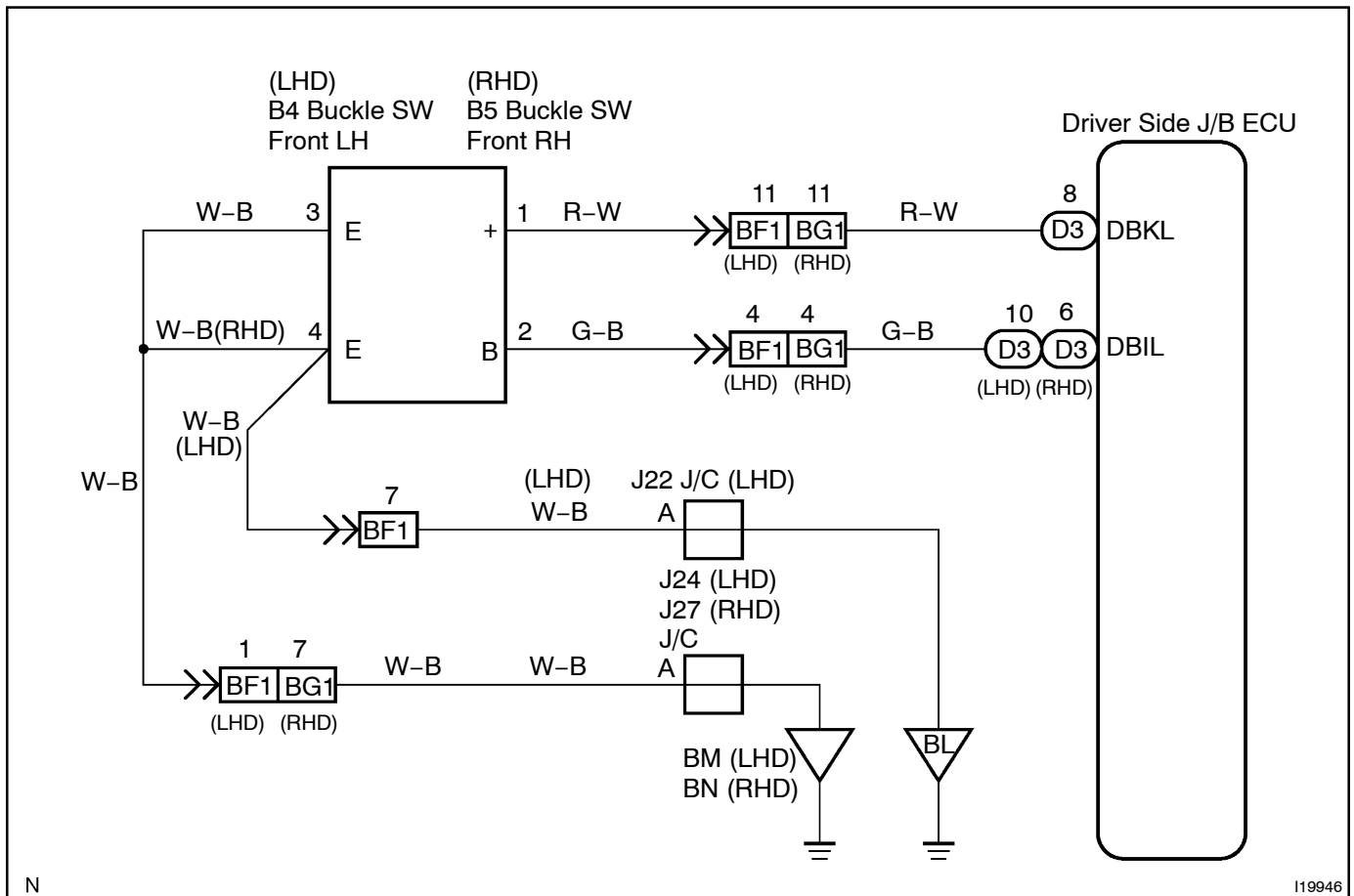


Driver Buckle Illumination Circuit

CIRCUIT DESCRIPTION

Receiving the courtesy signal from the door ECU, the Driver side J/B ECU makes the buckle illumination on the opened door side come on.

WIRING DIAGRAM



N

119946

INSPECTION PROCEDURE**HINT:**

In case of using the LEXUS hand-held tester, start the inspection from step 1 and in case of not using the LEXUS hand-held tester, start from step 2.

1 Check the driver buckle illumination using LEXUS hand-held tester.

PREPARATION:

Connect the LEXUS hand-held tester to the DLC3.

CHECK:

Check the driver buckle illumination using ACTIVE TEST.

OK

Proceed to next circuit inspection shown on problem symptom table (See page DI-1012).

NG

2 Check the driver buckle illumination (See page BE-49).

NG

Replace the driver buckle illumination.

OK

3 Check wire harness and connector between driver buckle illumination and driver side J/B ECU (See page N-35).

NG

Repair or replace wire harness or connector.

OK

Proceed to next circuit inspection shown on problem symptom table (See page DI-1012).