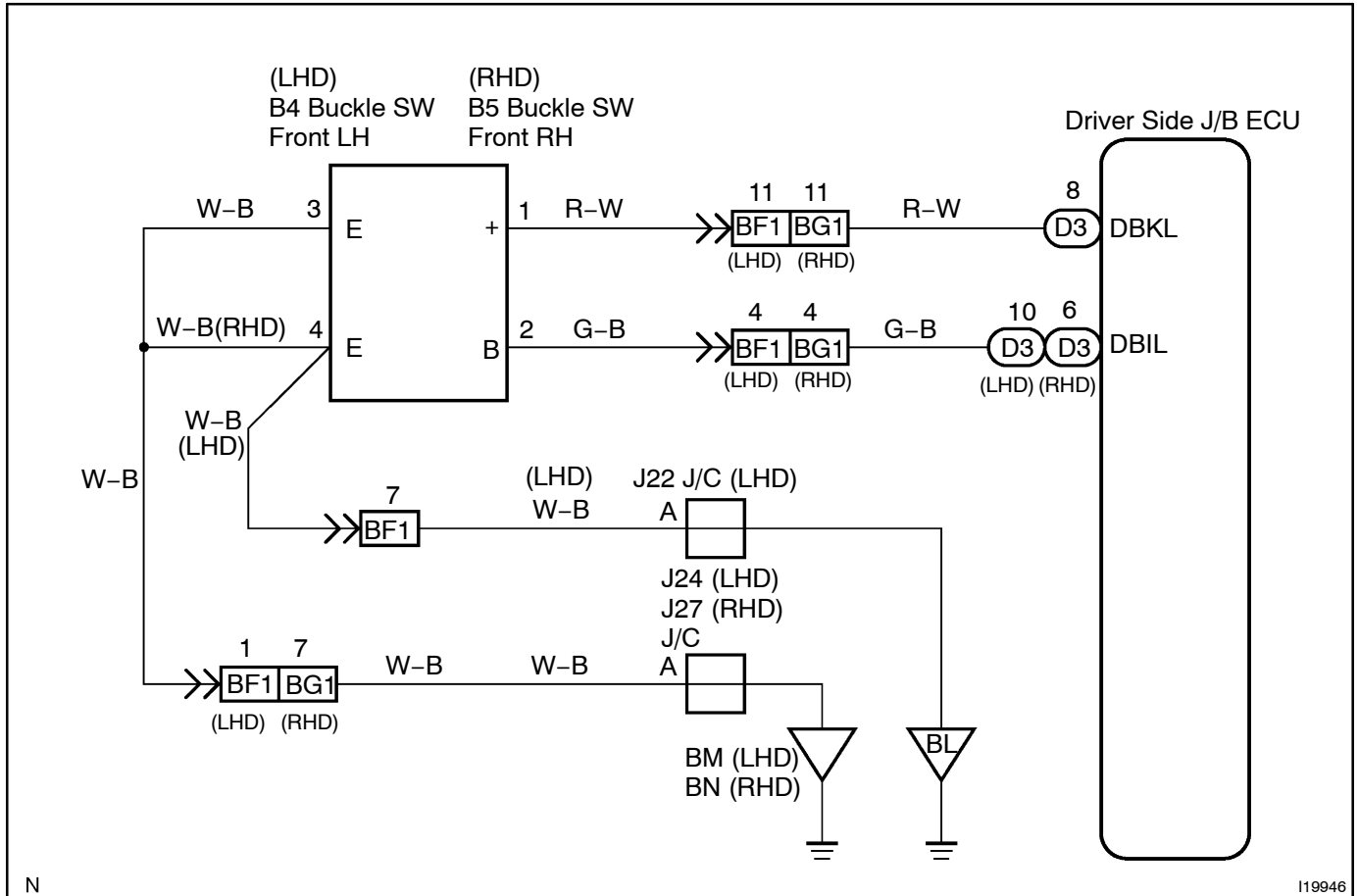


Driver Buckle Switch Circuit

CIRCUIT DESCRIPTION

This circuit detects the conditions of the driver buckle switch and makes the driver seat warning flash.

WIRING DIAGRAM



INSPECTION PROCEDURE**HINT:**

In case of using the LEXUS hand-held tester, start the inspection from step 1 and in case of not using the LEXUS hand-held tester, start from step 2.

1 Check the driver buckle switch using LEXUS hand-held tester.

PREPARATION:

Connect the LEXUS hand-held tester to the DLC3.

CHECK:

Check the driver buckle switch using DATA LIST.

OK

Proceed to next circuit inspection shown on problem symptom table (See page DI-1012).

NG

2 Check the driver buckle switch (See page BE-73).

NG

Replace the driver buckle switch.

OK

3 Check wire harness and connector between driver buckle switch and driver side J/B ECU (See page IN-35).

NG

Repair or replace wire harness or connector.

OK

Proceed to next circuit inspection shown on problem symptom table (See page DI-1012).