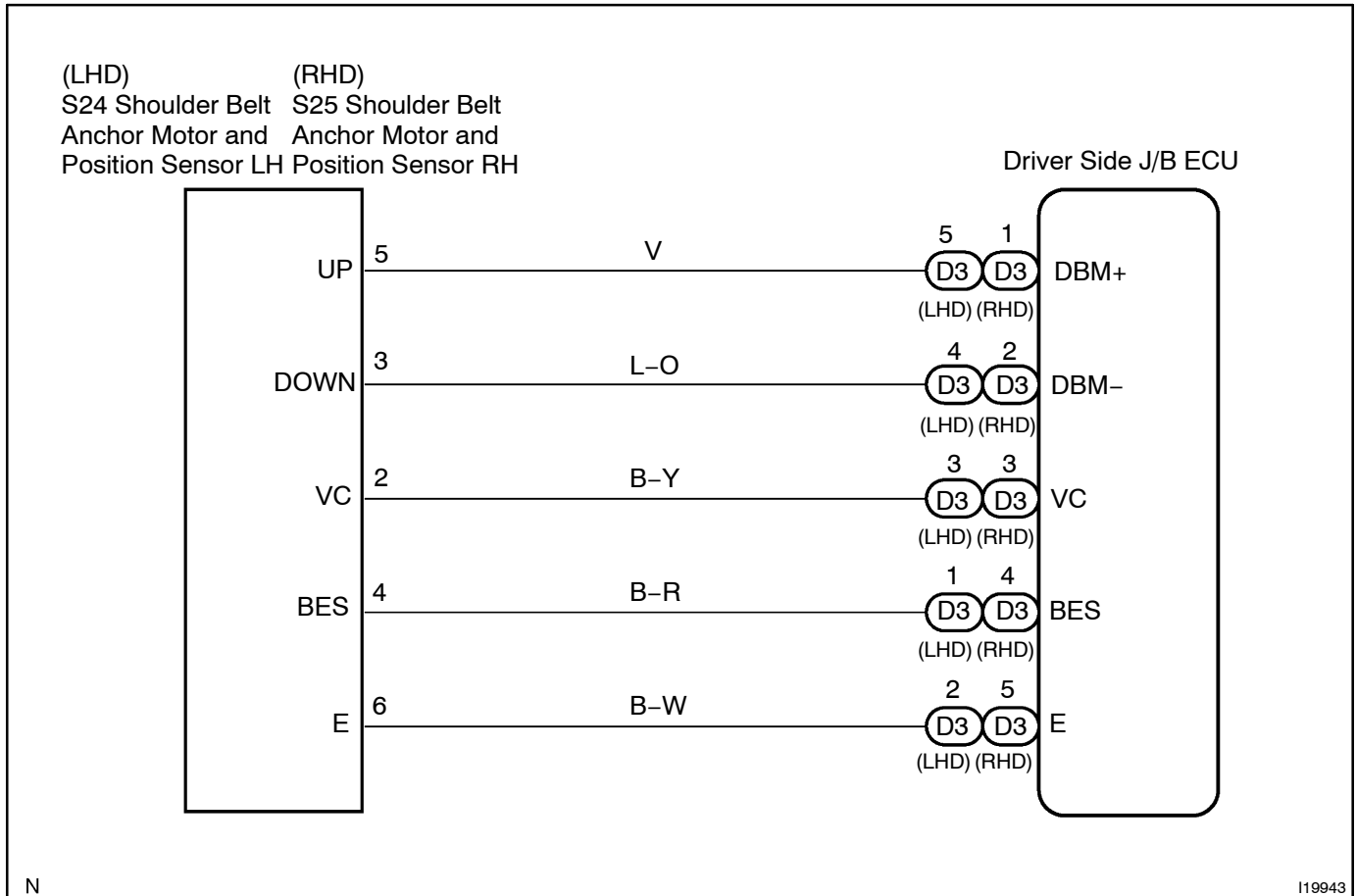


Shoulder Belt Anchor Motor Circuit

CIRCUIT DESCRIPTION

The Driver side ECU receives the seat belt anchor switch signal from the Driver Door ECU to operate the seat belt anchor motor.

WIRING DIAGRAM



INSPECTION PROCEDURE**HINT:**

In case of using the LEXUS hand-held tester, start the inspection from step 1 and in case of not using the LEXUS hand-held tester, start from step 2.

1 Check the shoulder belt anchor motor LEXUS using hand-held tester.

PREPARATION:

Connect the LEXUS hand-held tester to the DLC3.

CHECK:

Check that the shoulder belt anchor motor can operate in an ACTIVE TEST.

OK

Proceed to next circuit inspection shown on problem symptom table (See page DI-1012).

NG

2 Check the shoulder belt anchor motor (See page BE-148).

NG

Replace the shoulder belt anchor motor.

OK

3 Check wire harness and connector between shoulder belt anchor motor and driver side J/B ECU (See page N-35).

NG

Repair or replace wire harness or connector.

OK

Proceed to next circuit inspection shown on problem symptom table (See page DI-1012).