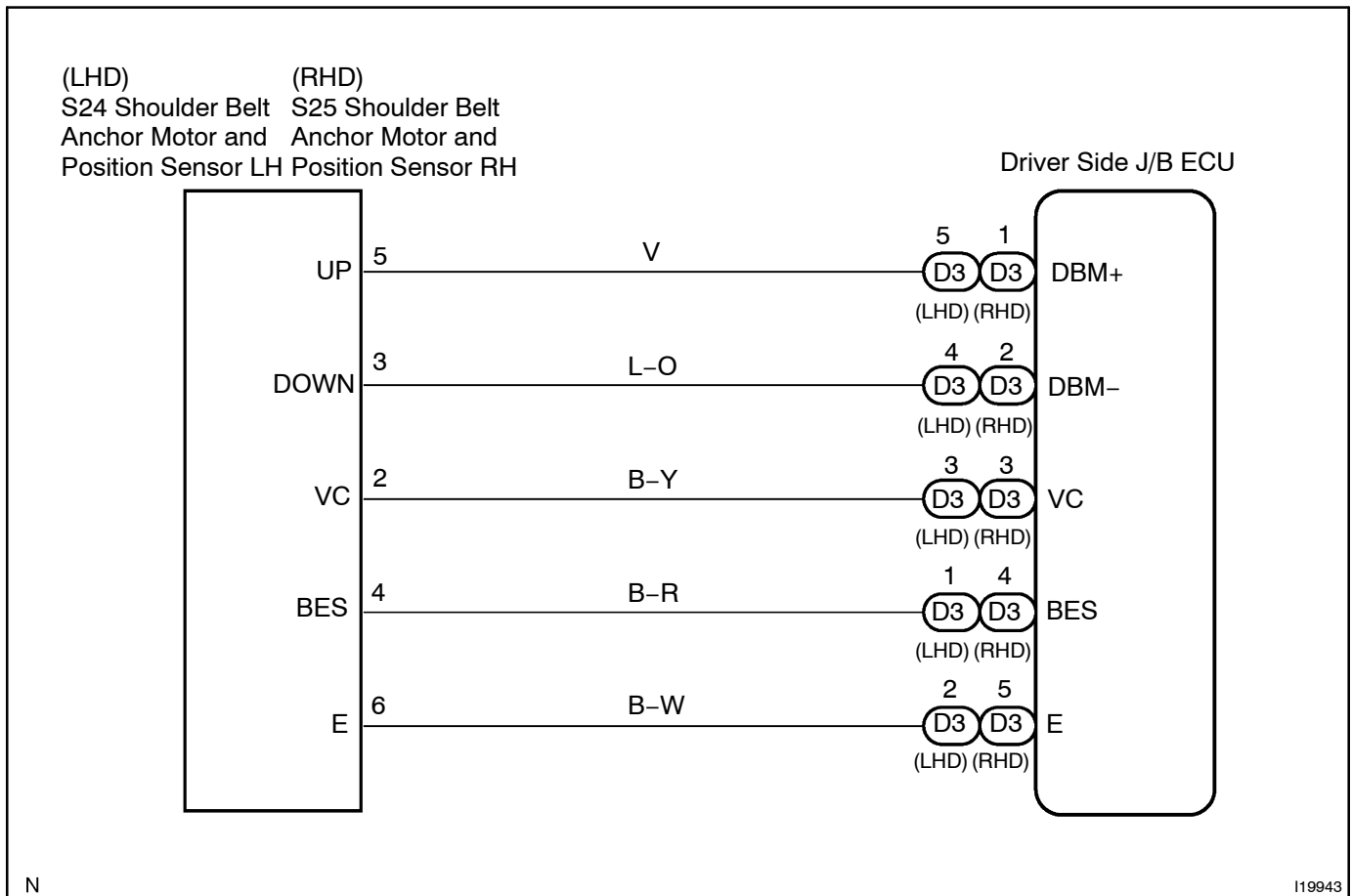


## Shoulder Belt Anchor Sensor Circuit

### CIRCUIT DESCRIPTION

This position detected by the seat belt position detection sensor will be memorized in the Driver side J/B ECU. This sensor is equipped in the seat belt anchor to operate the memory function.

### WIRING DIAGRAM



**INSPECTION PROCEDURE**

1 Check the shoulder belt anchor sensor (See page BE-148).

NG

Replace the shoulder belt anchor sensor.

OK

2 Check wire harness and connector between shoulder belt anchor sensor and driver side J/B ECU (See page IN-35).

NG

Repair or replace wire harness or connector.

OK

Proceed to next circuit inspection shown on problem symptom table (See page DI-1012).