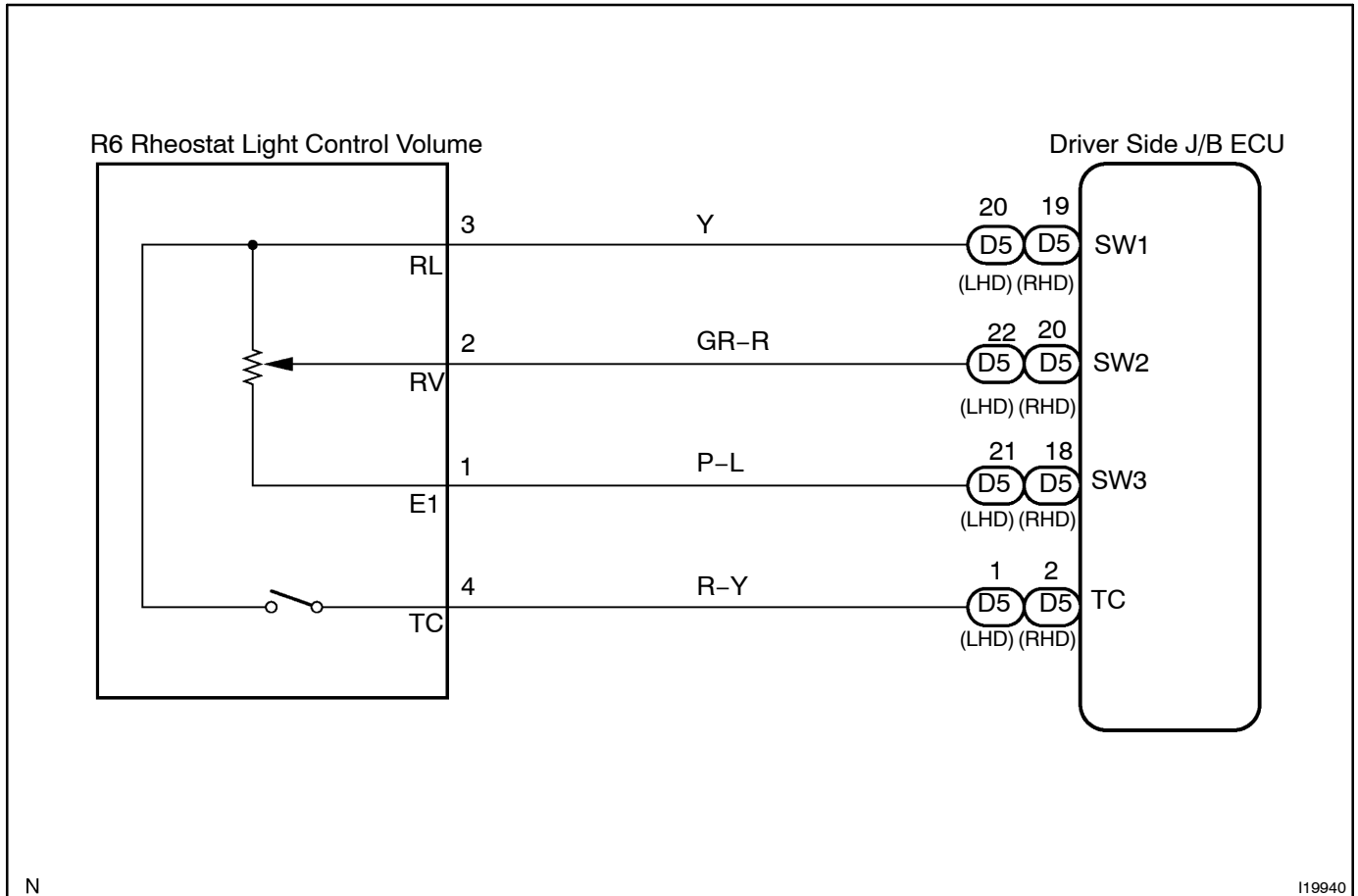


Rheostat Light Control Volume Circuit

CIRCUIT DESCRIPTION

It outputs light deteriorate instruction such as the self-illuminated display on A/C panel.

WIRING DIAGRAM



INSPECTION PROCEDURE

1 Check rheostat light control volume (and tail switch cancel).

Using LEXUS hand-held tester:

PREPARATION:

- (a) Connect the LEXUS hand-held tester to the DLC3.
- (b) Turn ignition switch ON and LEXUS hand-held tester main switch ON.

CHECK:

- (a) The value of the illumination rate should change in the following range when the rheostat light control volume is put in the light or covered by a hand.
- (b) Check the tail cancel switch using DATA LIST.

OK:

0 - 100

NG

Replace the rheostat light control volume.

OK

2 Check the rheostat light control volume (See page BE-73).

NG

Replace the rheostat light control volume.

OK

3 Check wireharness and connector between rheostat light control volume and driver side J/B ECU (See page IN-35).

NG

Repair or replace wireharness or connector.

OK

Proceed to next circuit inspection shown on problem symptoms table (See page DI-1012).