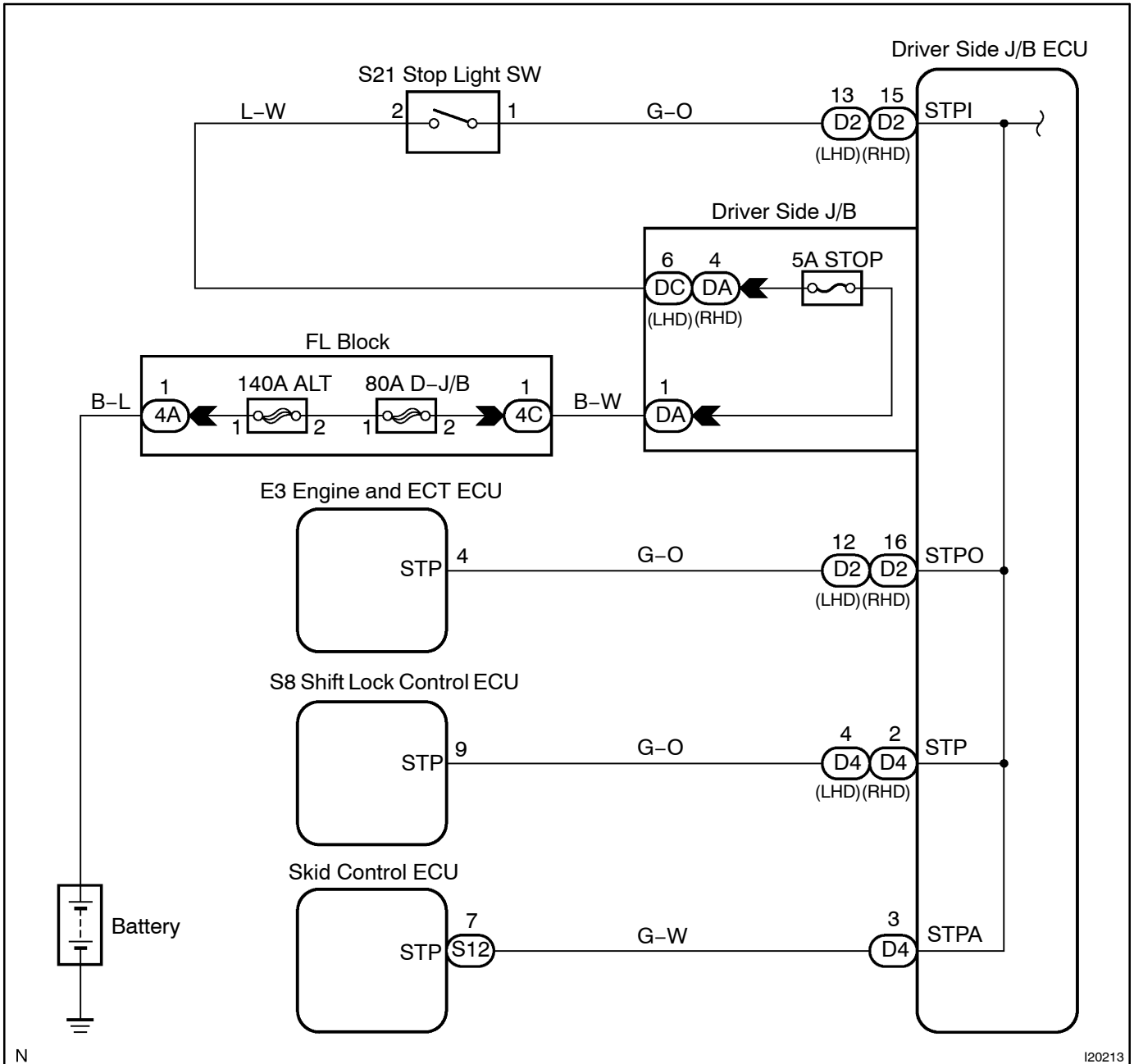


Stop Light Switch Circuit

CIRCUIT DESCRIPTION

This circuit detects the conditions of the stop light switch.

WIRING DIAGRAM



N

I20213

INSPECTION PROCEDURE**HINT:**

In case of using the LEXUS hand-held tester, start the inspection from step 1 and in case of not using the LEXUS hand-held tester, start from step 2.

1 Check the stop light switch using LEXUS hand-held tester.

PREPARATION:

Connect the LEXUS hand-held tester to the DLC3.

CHECK:

Check the stop light switch using DATA LIST.

OK

Proceed to next circuit inspection shown on problem symptom table (See page DI-1012).

NG

2 Check the stop light switch (See page BE-58).

NG

Replace the stop light switch.

OK

3 Check wire harness and connector between stop light switch and driver side J/B ECU (See page IN-35).

NG

Repair or replace wire harness or connector.

OK

Proceed to next circuit inspection shown on problem symptom table (See page DI-1012).