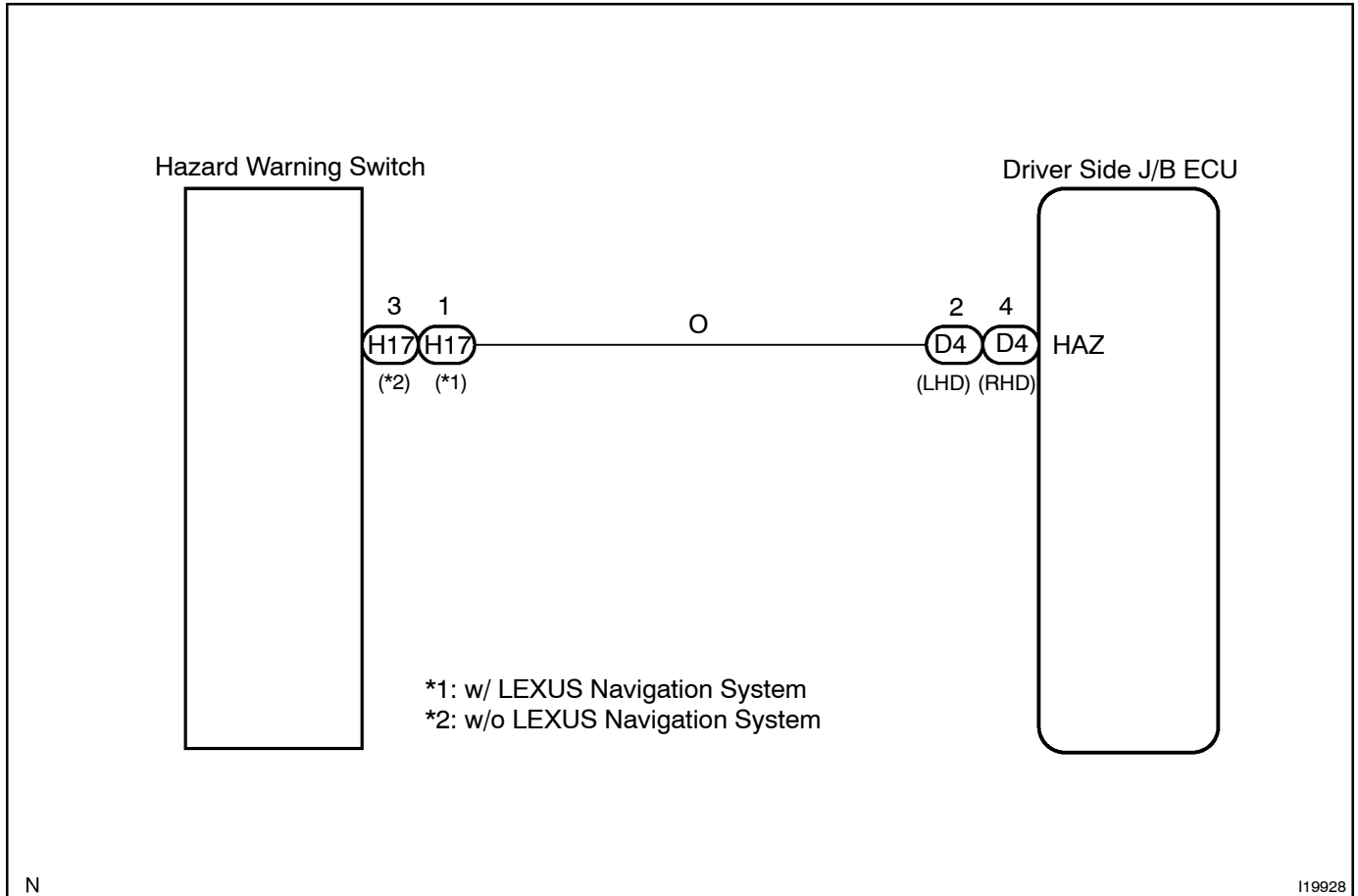


Hazard Switch Circuit

CIRCUIT DESCRIPTION

The hazard warning SW sends a signal to the Driver Side J/B ECU.

WIRING DIAGRAM



INSPECTION PROCEDURE

1 Check the hazard switch (See page BE-46).

NG

Replace the hazard switch.

OK

2 Check wire harness and connector between hazard switch and driver side J/B ECU (See page IN-35).

NG

Repair or replace wire harness or connector.

OK

Proceed to next circuit inspection shown on problem symptom table (See page DI-1012).