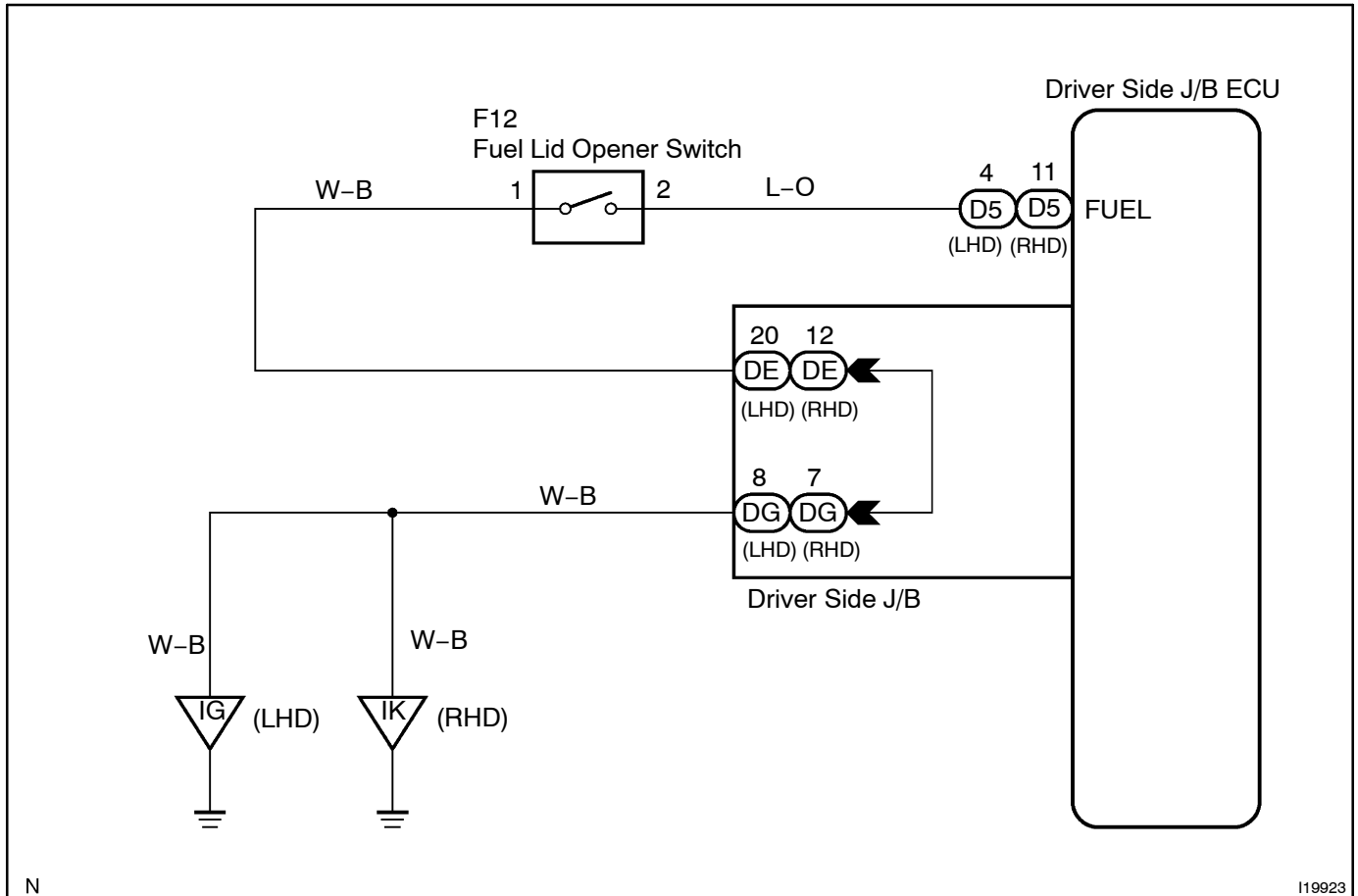


Fuel Lid Opener Switch Circuit

CIRCUIT DESCRIPTION

This circuit detects the conditions of the fuel lid opener switch.

WIRING DIAGRAM



N

I19923

INSPECTION PROCEDURE**HINT:**

In case of using the LEXUS hand-held tester, start the inspection from step 1 and in case of not using the LEXUS hand-held tester, start from step 2.

1 Check the fuel lid opener switch using LEXUS hand-held tester.

PREPARATION:

Connect the LEXUS hand-held tester to the DLC3.

CHECK:

Check the fuel lid opener switch using DATA LIST.

OK

Proceed to next circuit inspection shown on problem symptoms table (See page DI-1012).

NG

2 Check the fuel lid opener switch (See page BE-168).

NG

Replace the fuel lid opener switch.

OK

3 Check wireharness and connector between fuel lid opener switch and driver side J/B ECU (See page IN-35).

NG

Repair or replace wireharness or connector.

OK

Proceed to next circuit inspection shown on problem symptoms table (See page DI-1012).