

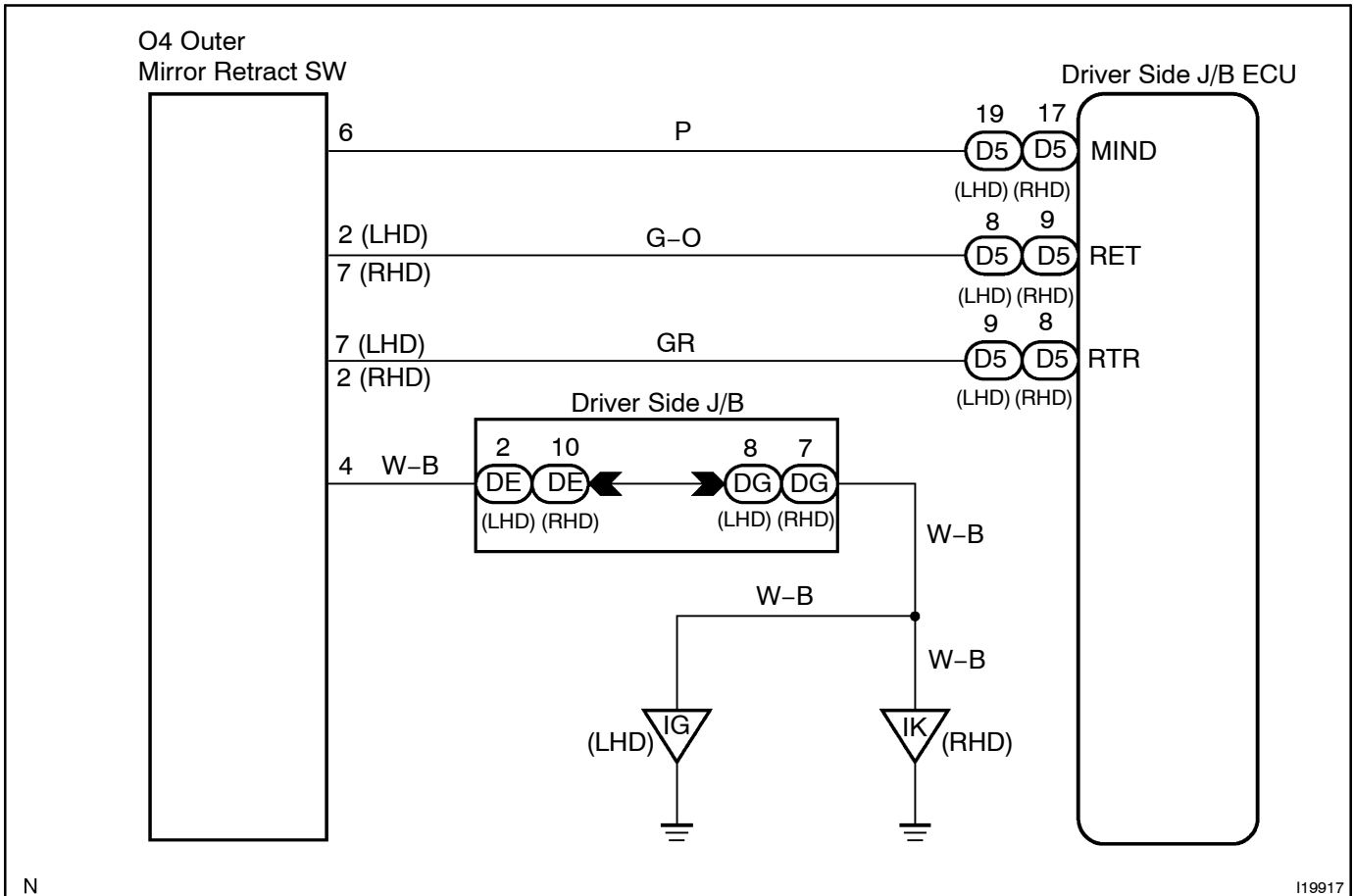
Mirror Retract Switch Circuit

CIRCUIT DESCRIPTION

This circuit detects the conditions of the mirror retract switch.

The operating condition of the mirror retract switch is input by the driver side J/B ECU and the input signals are sent to the driver door ECU or the passenger door ECU.

WIRING DIAGRAM



N

I19917

INSPECTION PROCEDURE

HINT:

In case of using the LEXUS hand-held tester, start the inspection from step 1 and in case of not using the LEXUS hand-held tester, start from step 2.

1 Check the mirror retract switch using LEXUS hand-held tester.

PREPARATION:

Connect the LEXUS hand-held tester to the DLC3.

CHECK:

Check the mirror retract switch using DATA LIST.

OK

Proceed to next circuit inspection shown on problem symptoms table (See page DI-1012).

NG

2 Check the mirror retract switch (See page BE-143).

NG

Replace the mirror retract switch.

OK

3 Check wireharness and connector between driver side J/B ECU and mirror retract switch (See page IN-35).

NG

Repair or replace wireharness or connector.

OK

Proceed to next circuit inspection shown on problem symptoms table (See page DI-1012).