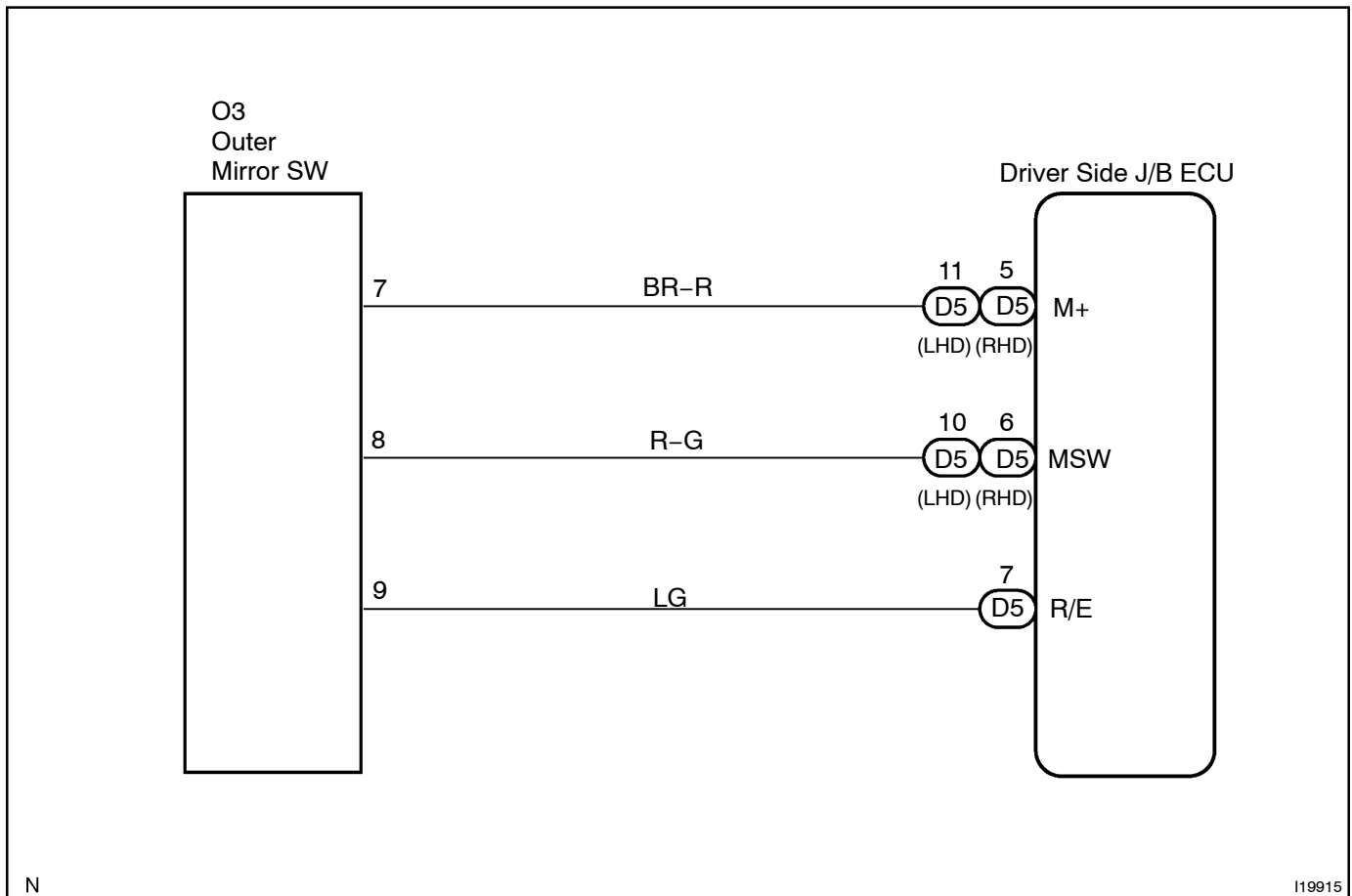


## Mirror Switch Circuit

### CIRCUIT DESCRIPTION

This circuit detects the conditions of the mirror selection switch and the mirror position switch. The operating condition of the mirror switch is input by the driver side J/B ECU and the input signals are sent to the driver door ECU or the passenger door ECU. Mirror adjustment is controlled by the driver ECU or the passenger door ECU.

### WIRING DIAGRAM



**INSPECTION PROCEDURE**

HINT:

In case of using the LEXUS hand-held tester, start the inspection from step 1 and in case of not using the LEXUS hand-held tester, start from step 2.

1	<b>Check the mirror switch using LEXUS hand-held tester.</b>
---	--

**PREPARATION:**

Connect the LEXUS hand-held tester to the DLC3.

**CHECK:**

Check the mirror switch using DATA LIST.

**OK:****Mirror control switch**

Terminal (tester display) Switch position	Mirror control switch (UP)	Mirror control switch (DOWN)	Mirror control switch (LEFT)	Mirror control switch (RIGHT)
UP	ON	OFF	OFF	OFF
DOWN	OFF	ON	OFF	OFF
LEFT	OFF	OFF	ON	OFF
RIGHT	OFF	OFF	OFF	ON

**Mirror select switch**

Terminal (tester display) Switch position	Mirror select switch (Right)	Mirror select switch (Left)
LEFT	OFF	ON
RIGHT	ON	OFF

OK

Proceed to next circuit inspection shown on problem symptoms table (See page DI-1012).

NG

2 Check the mirror switch (See page BE-143).

NG

Replace the mirror switch.

OK

3 Check wireharness and connector between mirror switch and driver side J/B ECU (See page IN-35).

NG

Repair or replace wireharness or connector.

OK

Proceed to next circuit inspection shown on problem symptoms table (See page DI-1012).