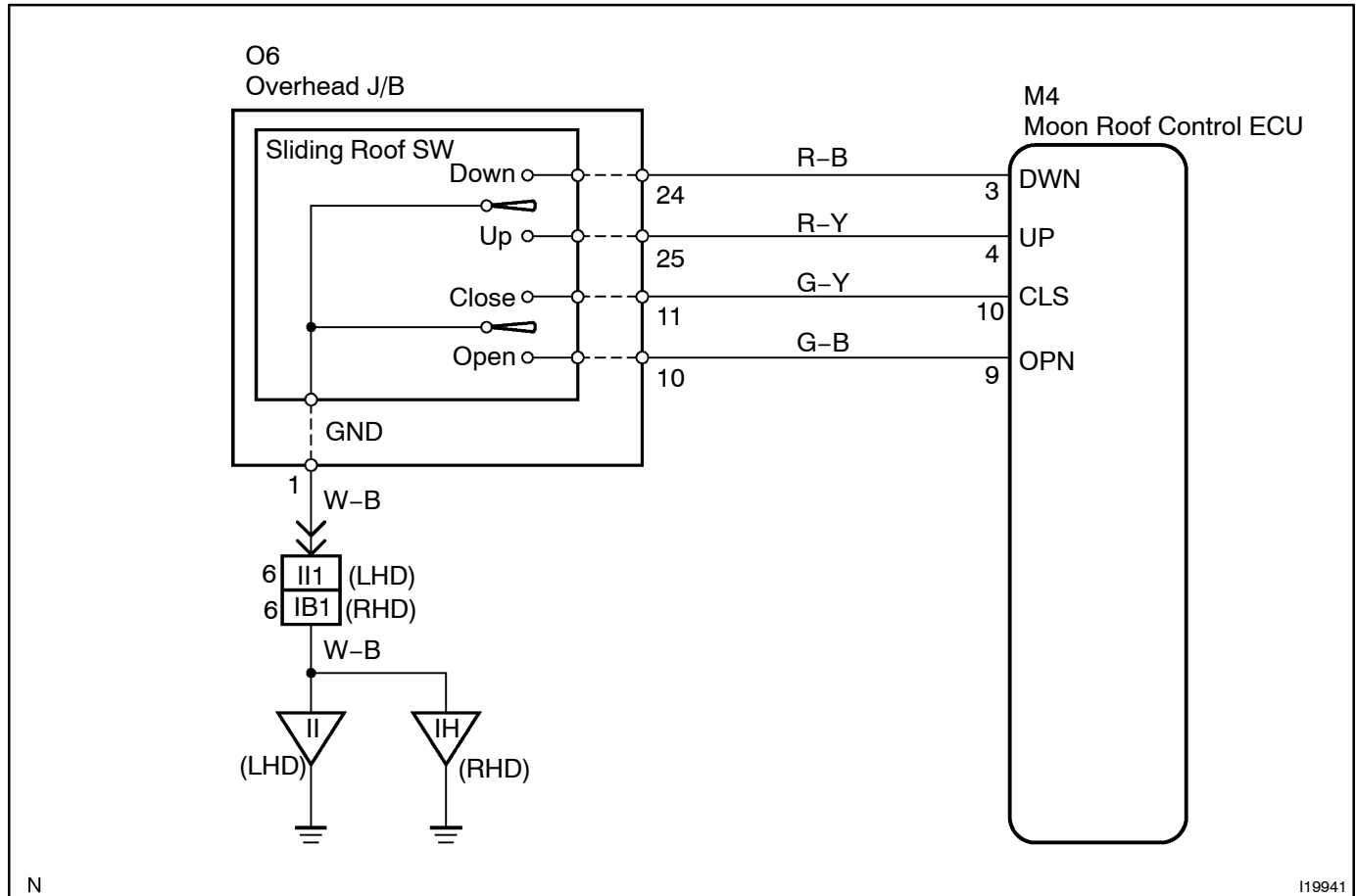


Sliding Roof Control Switch Circuit

WIRING DIAGRAM



INSPECTION PROCEDURE

HINT:

If there is not the LEXUS hand-held tester, begin with STEP 2.

1	Check sliding roof control switch operation.
----------	---

PREPARATION:

Connect the LEXUS hand-held tester to the DLC3.

CHECK:

- (a) Enter DATA LIST function of LEXUS hand-held tester.
- (b) Check that switch status (ON/OFF) changes on the screen of LEXUS hand-held tester as the sliding roof control switch of the vehicle is turned.

OK:

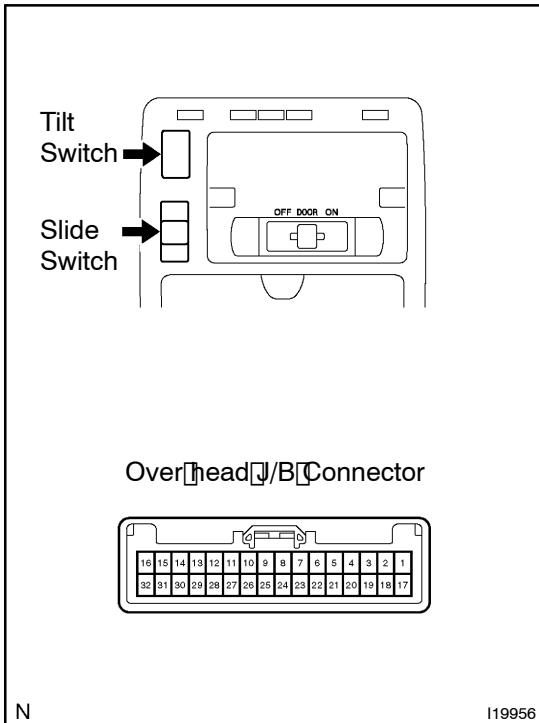
The motor operates normally.

NG

Replace sliding roof gear assembly
(See page BO-121).

OK

2 Check sliding roof control switch.



PREPARATION:

- (a) Remove the overhead J/B assembly.
- (b) Disconnect the overhead J/B assembly connector.

CHECK:

Check continuity between terminals when the switch is operated.

OK:

Switch position	Tester connection	Specified condition
SLIDE OPEN	1 - 10	Continuity
SLIDE OFF	-	No continuity
SLIDE CLOSE	1 - 11	Continuity
TILT DOWN	1 - 24	Continuity
TILT OFF	-	No continuity
TILT UP	1 - 25	Continuity

NG

Replace overhead J/B assembly.
(See page BO-152)

OK

3 Check for open and short in harness and connectors between sliding roof gear assembly and overhead J/B assembly (See page IN-35).

NG

Repair and replace harness or connector.

OK

Proceed to next circuit inspection shown on problem/symptom table (See page DI-993).