

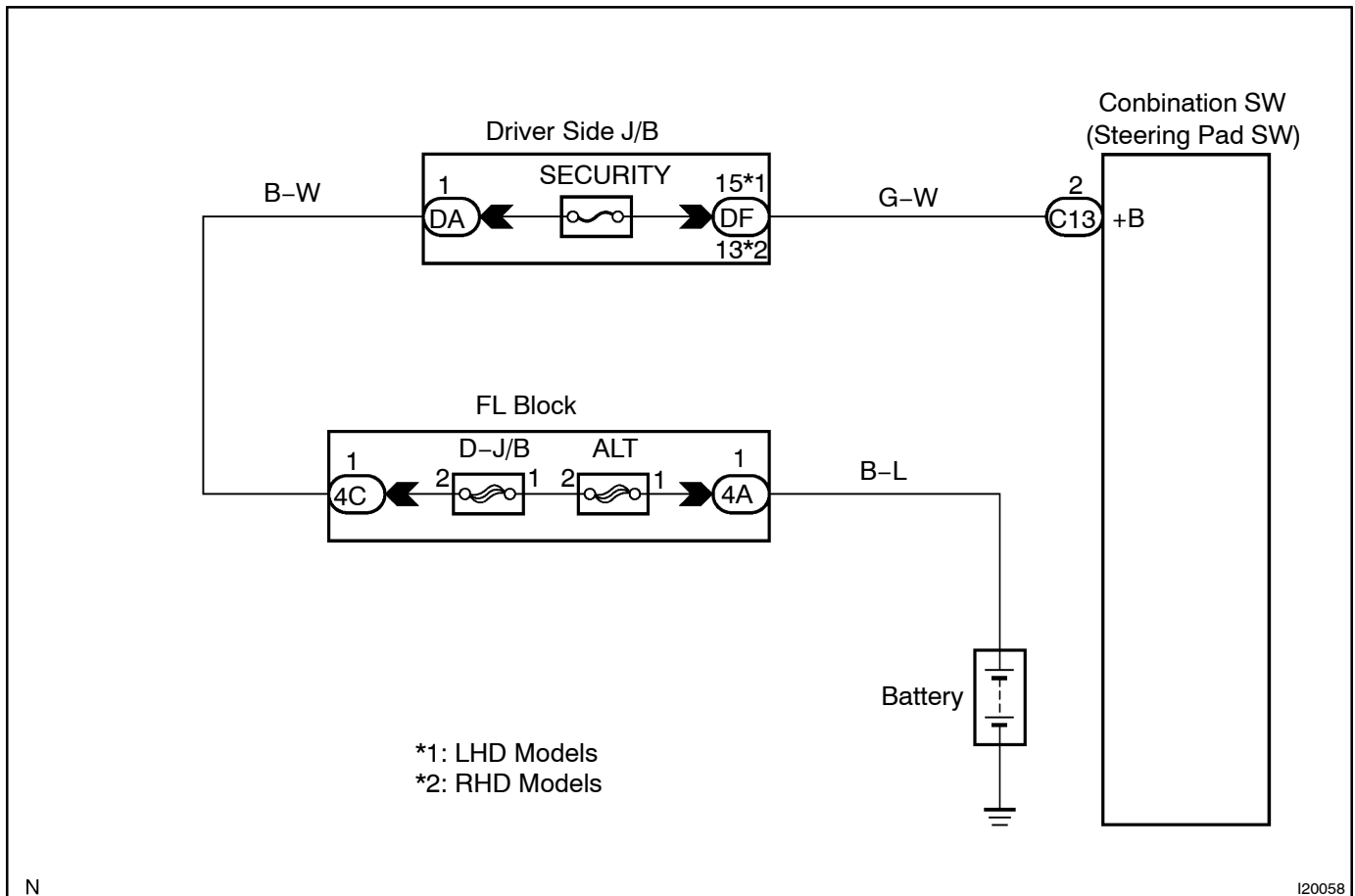
CIRCUIT INSPECTION

Power Source Circuit

CIRCUIT DESCRIPTION

This circuit provides power to operate the steering pad switch.

WIRING DIAGRAM



INSPECTION PROCEDURE

1 Check MPX-B3 fuse.

CHECK:

Check continuity of MPX-B3 fuse.

OK:

Continuity

NG

Replace the failure fuse.

OK

2 Check voltage between terminal B and E of steering pad switch.

PREPARATION:

Disconnect the steering pad switch.

CHECK:

Measure voltage between terminals B and E of the steering pad switch.

OK:

Voltage: 10 – 14V

OK

Proceed to next circuit inspection shown on problem symptoms table (See page DI-974).

NG

3 Check wireharness and connector between steering pad switch and body ground (See page IN-35).

NG

Repair or replace wireharness or connector.

OK

Check and repair wireharness and connector between ECU and battery.