

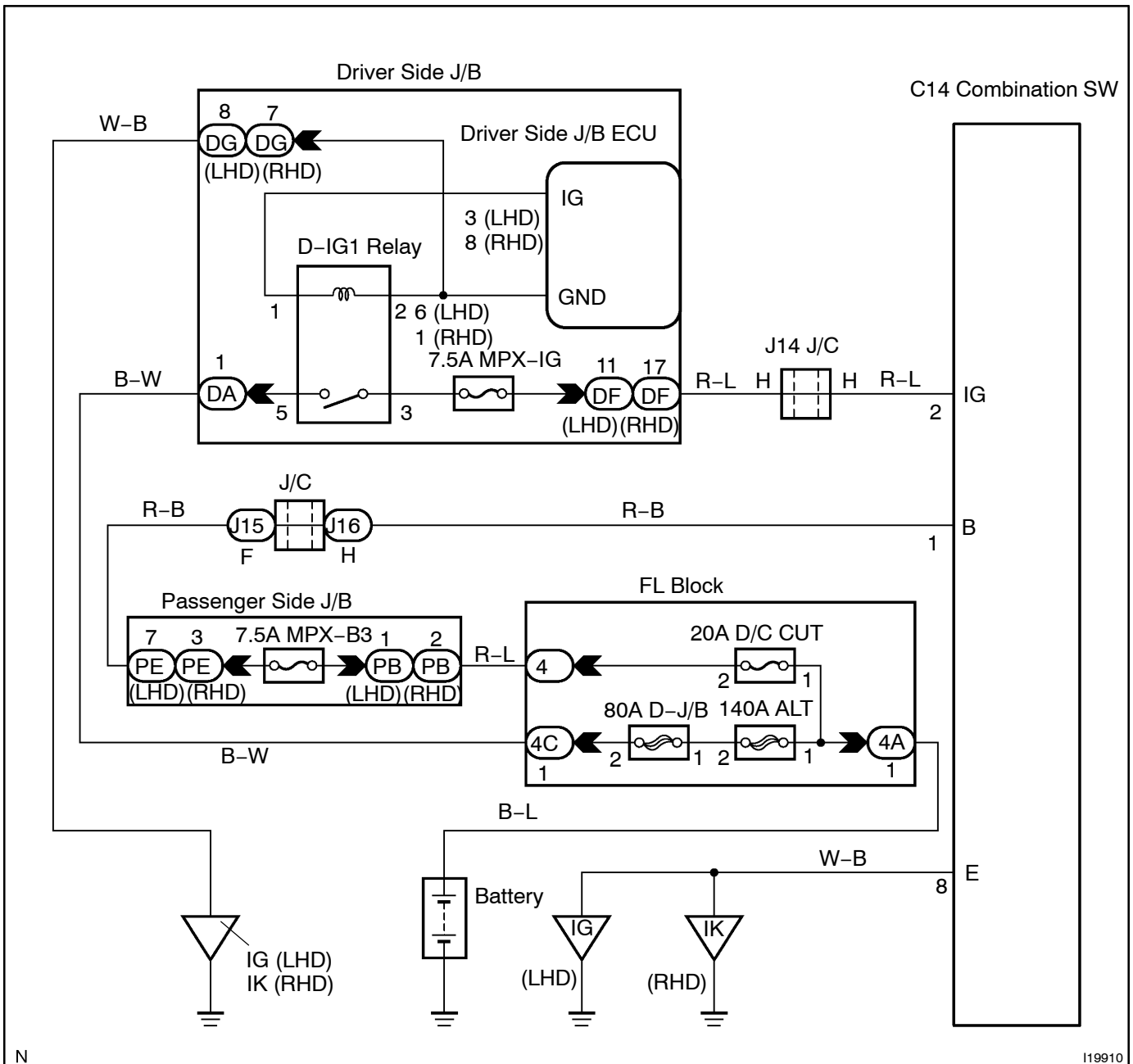
CIRCUIT INSPECTION

Power Source Circuit

CIRCUIT DESCRIPTION

This circuit provides power to operate the combination switch.

WIRING DIAGRAM



N

I19910

INSPECTION PROCEDURE

1	Check MPX-B3 and MPX-IG fuse.
---	-------------------------------

CHECK:

Check continuity of MPX-B3 and MPX-IG fuse.

OK:

Continuity

NG	Replace the failure fuse.
----	---------------------------

OK

2	Check voltage between terminal B, IG and E of combination switch.
---	---

PREPARATION:

Disconnect the combination switch.

CHECK:

Measure voltage between terminals B and E of the combination switch.

OK:

Voltage: 10 - 14V

PREPARATION:

(a) Turn the ignition switch ON.

(b) Disconnect the combination switch.

CHECK:

Measure voltage between terminals IG and E of combination switch.

OK:

Voltage: 10 - 14V

OK	Proceed to next circuit inspection shown on problem symptoms table (See page DI-960).
----	---

NG

3 Check wireharness and connector between combination switch and body ground (See page N-35).

NG

Repair or replace wireharness or connector.

OK

Check and repair wireharness and connector between ECU and battery.