

DTC	B2799	Engine Immobiliser System
------------	--------------	----------------------------------

CIRCUIT DESCRIPTION

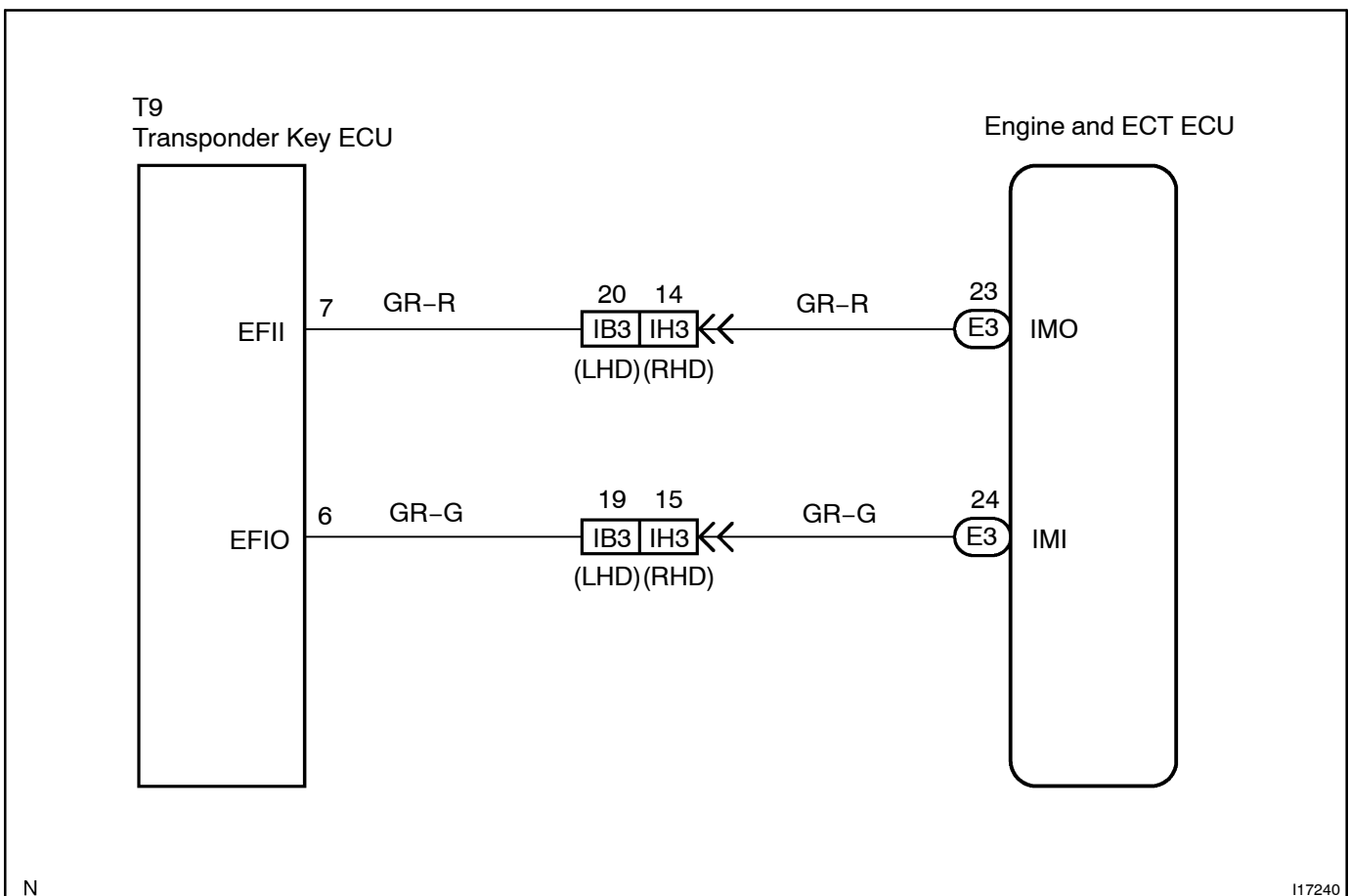
This DTC is output when the Engine and ECT ECU detects errors in the communication between the Transponder Key ECU and the Engine and ECT ECU, and in the communication lines.

This DTC is also output when the engine start is attempted with the COMMUNICATION ID between the Transponder ECU and the Engine and ECT ECU is different.

Before troubleshooting for this DTC, make sure that there is no DTC detected in the Transponder Key ECU. If there is Key code-related DTC (B279X) detected in the Transponder Key ECU, repair it first.

DTC No. (See Page)	Detection Item	Trouble Area
B2799	<ul style="list-style-type: none"> • Error in communication between Engine and ECU ECT and Transponder Key ECU, and in communication line. • COMMUNICATION ID is different in communication with Transponder Key ECU. 	<ul style="list-style-type: none"> • Wire harness • Transponder Key ECU • Engine and ECT ECU

WIRING DIAGRAM



INSPECTION PROCEDURE

1 Check wire harness and connector between Transponder Key ECU and Engine and ECT ECU (See page IN-35).

NG

Repair or replace wire harness or connector.

OK

Replace the Engine and ECT ECU
(See page IN-35)