

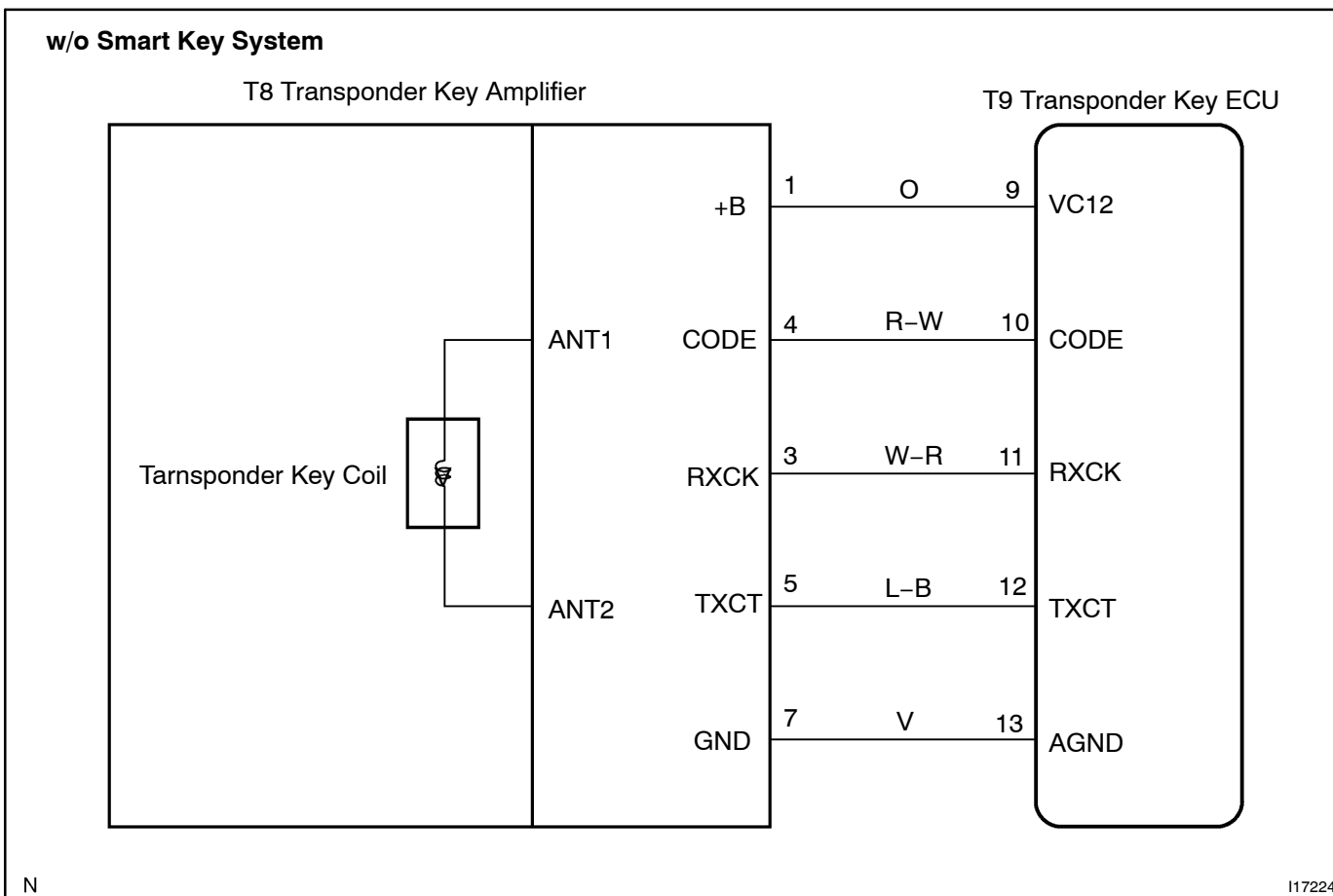
DTC	B2798	Communication Malfunction No.2
------------	--------------	---------------------------------------

CIRCUIT DESCRIPTION

This code is detected when an error occurs, although the communication has been performed normally. (Example. Some noise is included in communication line.)

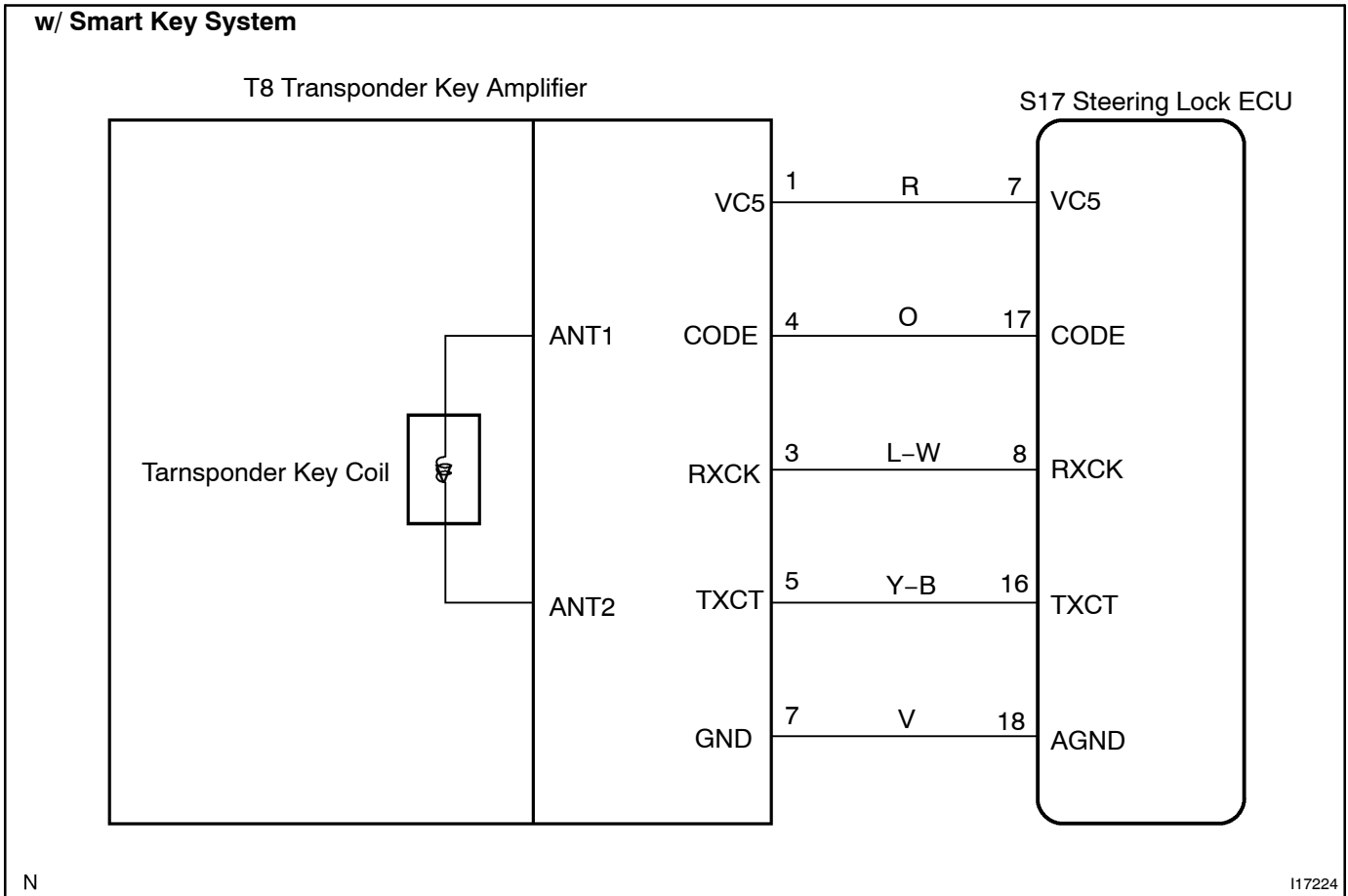
DTC No.	DTC Detecting Condition	Trouble Area
B2798	Communication error	<ul style="list-style-type: none"> • Key (smart key) • Transponder Key Amplifier (w / coil) • Wire harness • Transponder key (Steering lock) ECU

WIRING DIAGRAM



N

I17224



INSPECTION PROCEDURE

1	Delete DTC and insert all the presently available keys to check whether the engine starts or not.
----------	--

RESULT:

A	All keys start the engine.
B	A specific key does not start the engine. In this case, DTC (B 2796) is stored in memory.
C	All keys do not start the engine. In this case, DTC (B2796) is stored in memory.

A

No problem at this time.

HINT:

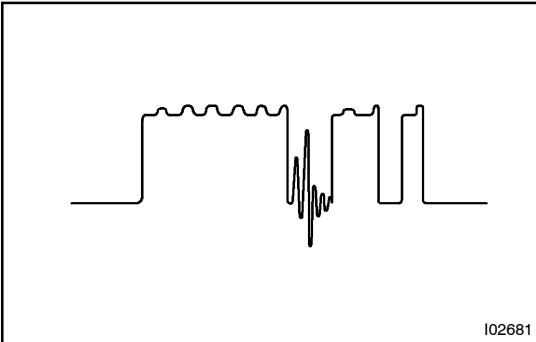
If the result is "A", please confirm whether or not customers have ever inserted the key (without transponder chip) of other vehicles in the ignition key cylinder (starter switch), and find out the cause of detecting DTC.

B

The transponder chip of a specific key is defective. Replace the key.

C

2 Noise check

**PREPARATION:**

Insert the already registered master key in the ignition key cylinder (starter switch).

CHECK:

Using oscilloscope or the LEXUS hand-held tester, check that noise is included in the signals sent to the CODE terminal of the Transponder key (steering lock) ECU.

OK:

No noise is detected.

NG

Try to find the cause of the noise and remove it.

OK

3 Check wire harness and connector between transponder key amplifier and transponder key (steering lock) ECU (See page IN-35).

NG

Repair or replace wire harness and connector.

OK

4 Does it operate normally after replacement of transponder key amplifier?

Yes

Replace transponder key amplifier.

No

Replace transponder key (steering lock) ECU
(See page N-35).