

<b>DTC</b>	<b>B2796</b>	<b>No Communication in Immobiliser system</b>
------------	--------------	---

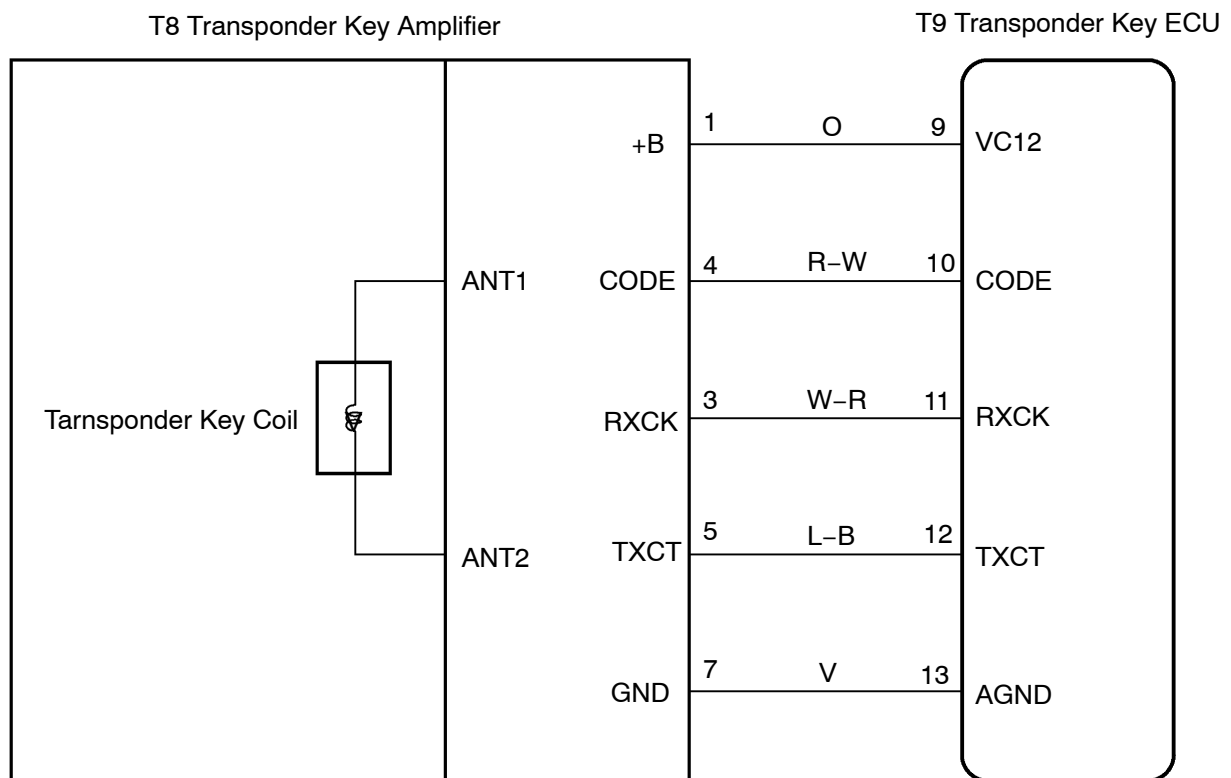
## CIRCUIT DESCRIPTION

This DTC is stored in memory when the key that does not have a transponder chip is inserted or if communication between the key and transponder key (steering lock) ECU is impossible.

DTC No.	DTC Detecting Condition	Trouble Area
B2796	No communication	<ul style="list-style-type: none"> <li>• Key (Smart Key)</li> <li>• Transponder Key Amplifier (w / coil)</li> <li>• Wire harness</li> <li>• Transponder Key (Steering Lock)</li> </ul>

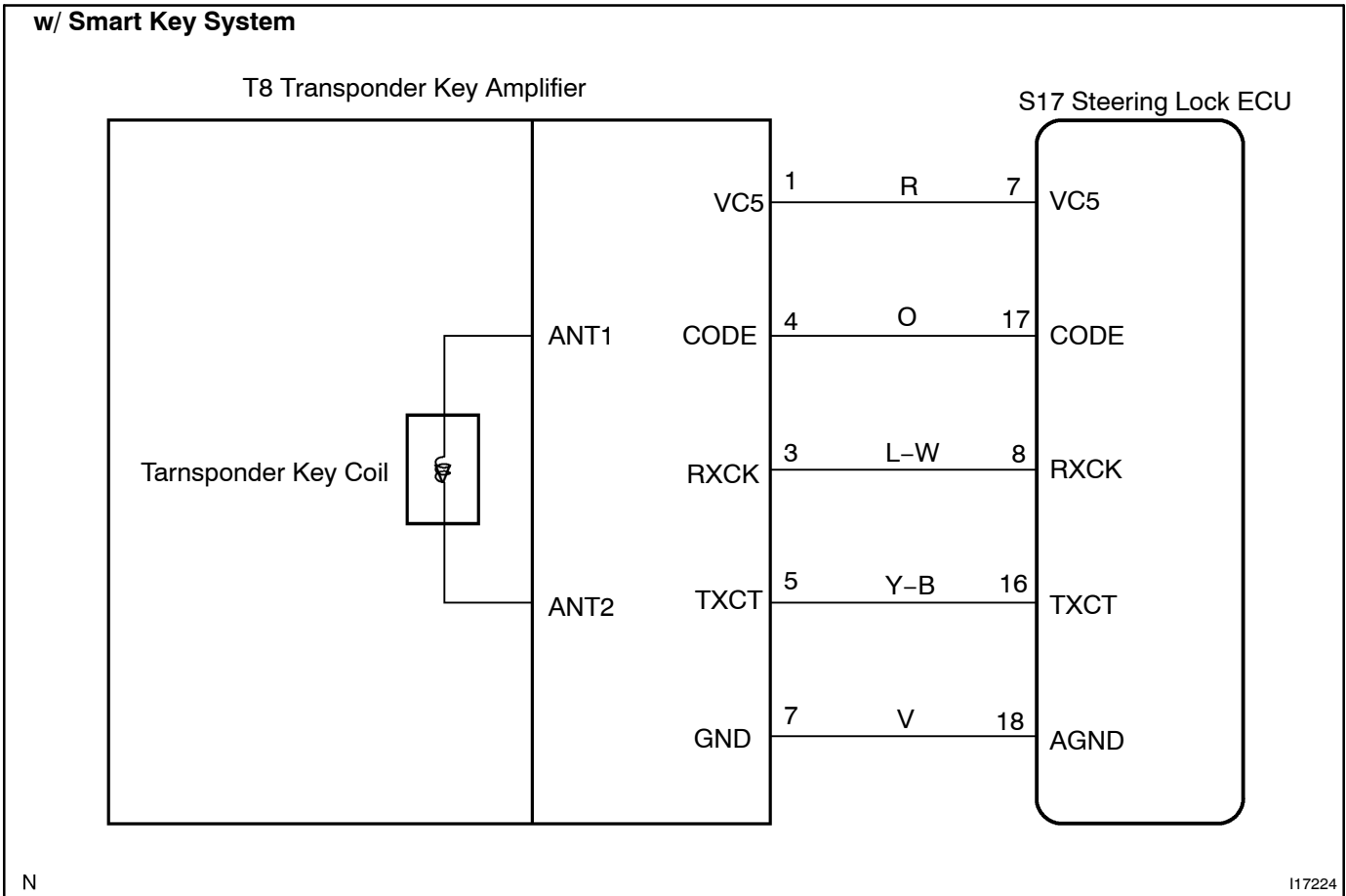
## WIRING DIAGRAM

w/o Smart Key System



N

I17224



### INSPECTION PROCEDURE

<b>1</b>	<b>Delete DTC and insert all the presently available keys to check whether the engine starts or not.</b>
----------	--

**RESULT:**

A	All keys start the engine.
B	A specific key does not start the engine. In this case, DTC (B 2796) is stored in memory.
C	All keys do not start the engine. In this case, DTC (B 2796) is stored in memory.

**A****No problem at this time.**

HINT:

If the result is "A", please confirm whether or not customers have ever inserted the key (without transponder chip) of other vehicles in the ignition key cylinder (starter switch), and find out the cause of detecting DTC.

**B****The transponder chip of a specific key is defective. Replace the key.****C****2****Check harness and connector between transponder key amplifier and transponder key (steering lock) ECU (See page IN-35).****NG****Repair or replace harness and connector.****OK****3****Does it operate normally after replacement of transponder key amplifier?****Yes****Replace transponder key amplifier.****No**

**Replace the transponder key (steering lock) ECU (See page IN-35).**