

## CIRCUIT INSPECTION

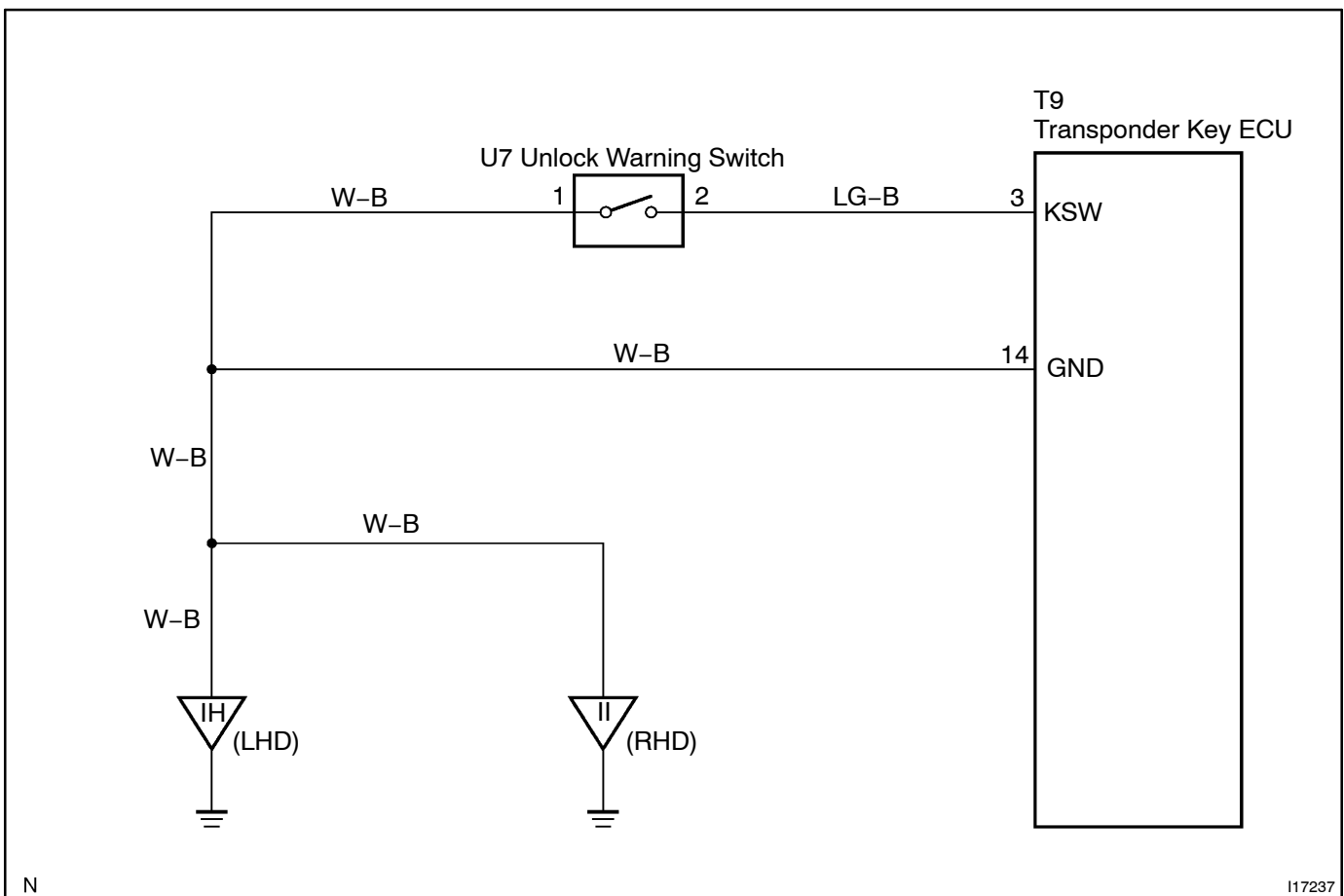
<b>DTC</b>	<b>B2780</b>	<b>Key Unlock Warning Switch Malfunction</b>
------------	--------------	--

### CIRCUIT DESCRIPTION

This DTC is detected when the Transponder key ECU does not detect the key unlock warning switch ON even with the ignition switch ON. (In normal condition, the key unlock warning switch should be ON when the ignition switch is ON.)

DTC No.	DTC Detecting Condition	Trouble Area
B2780	The key unlock warning switch On is not detected when the ignition switch is ON.	<ul style="list-style-type: none"> <li>• Key unlock warning switch</li> <li>• Wire harness</li> </ul>

### WIRING DIAGRAM



## INSPECTION PROCEDURE

### HINT:

In case of using the hand-held tester, start the inspection from step 1 and in case of not using the hand-held tester, start from step 2.

**1** Check key unlock warning switch using LEXUS hand-held tester.

### PREPARATION:

Connect the LEXUS hand-held tester to the DLC3.

### CHECK:

Check the key unlock warning switch using DATA LIST.

OK

Go to step 4.

NG

**2** Check key unlock warning switch (See page BE-30).

NG

Replace the key unlock warning switch.

OK

**3** Check wire harness and connector between key unlock warning switch and transponder key ECU (See page IN-35).

NG

Repair or replace wire harness or connector.

OK

Replace transponder key ECU (See page IN-35).

4 Check whether or not DTC is detected when DTC is cleared, key is inserted into ignition key cylinder and IG SW is turned ON. (See page IN-35).

**RESULT:**

OK	B2780 is not output.
NG	B2780 is output.

**NG**

Replace Transponder Key ECU (See page IN-35).

**OK**

No problem at this time.  
It is suspected that DTC was detected for some reason in the past.