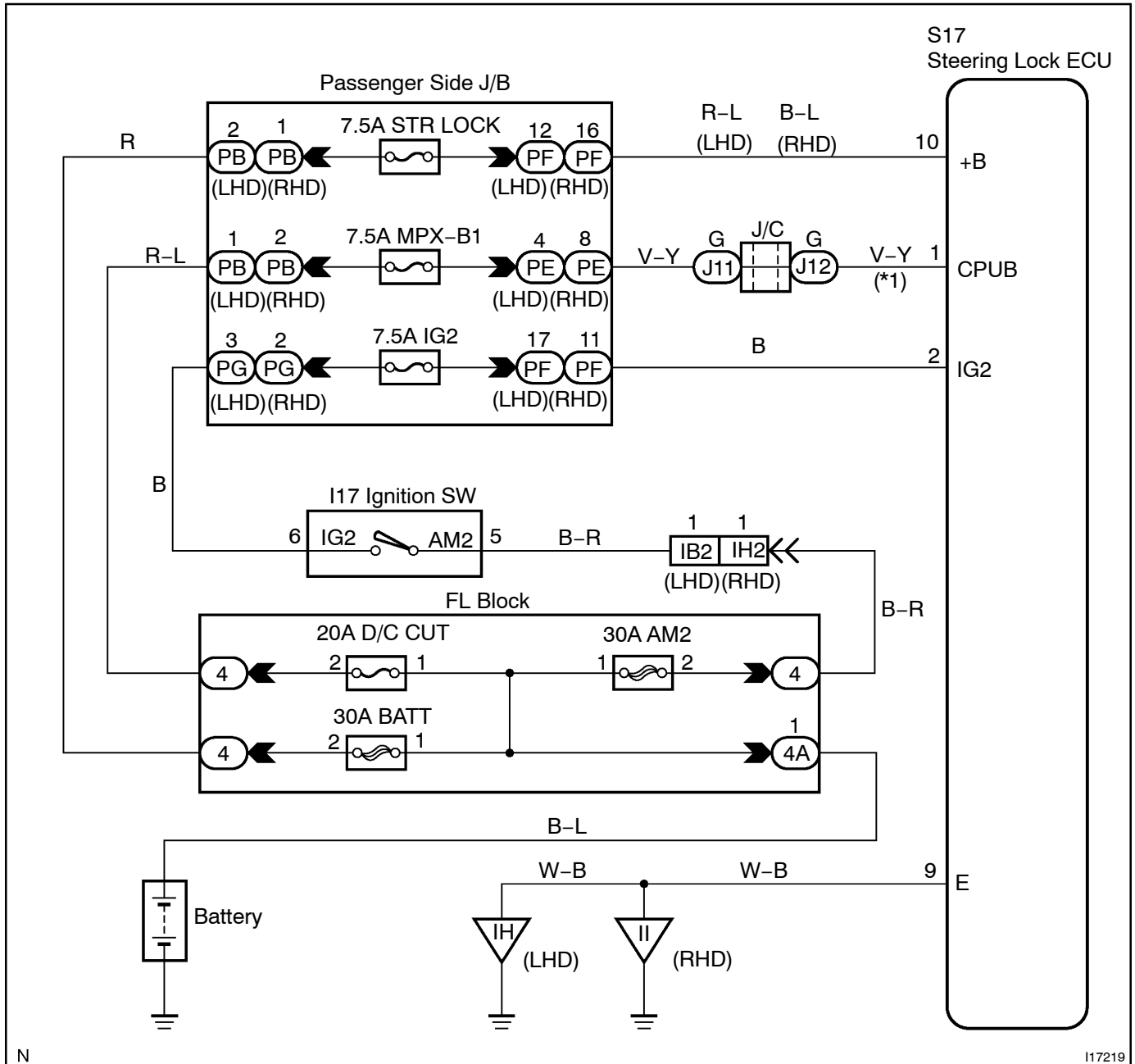


Power source circuit

CIRCUIT DESCRIPTION

This circuit provides power to operate the Steering Lock ECU

WIRING DIAGRAM



N

I17219

INSPECTION PROCEDURE

1	Check MPX-B1 and IG2 fuse.
---	----------------------------

CHECK:

Check continuity of MPX-B1 and IG2.

OK:

Continuity

NG

Replace the failure fuse.

OK

2	Check voltage between terminal B, IG and E of steering lock ECU.
---	------------------------------------------------------------------

PREPARATION:

Turn the ignition switch ON.

CHECK:

Measure voltage between terminals IG and E.

OK:

Voltage: 10 - 14V

PREPARATION:

(a) Turn the ignition switch OFF.

(b) Disconnect the steering lock ECU connector.

CHECK:

Measure voltage between terminals B, CPUB and E.

OK:

Voltage: 10 - 14V

OK

Proceed to next circuit inspection shown on problem symptoms table (See page DI-880).

NG

3 Check wire harness and connector between steering lock ECU and body ground (See page IN-35).

NG

Repair or replace wire harness or connector.

OK

Proceed to next circuit inspection shown on problem symptom table (See page DI-880).