

CIRCUIT INSPECTION

DTC	B2775	Interior Verification Abnormal (to Theft Deterrent ECU)
------------	--------------	--

CIRCUIT DESCRIPTION

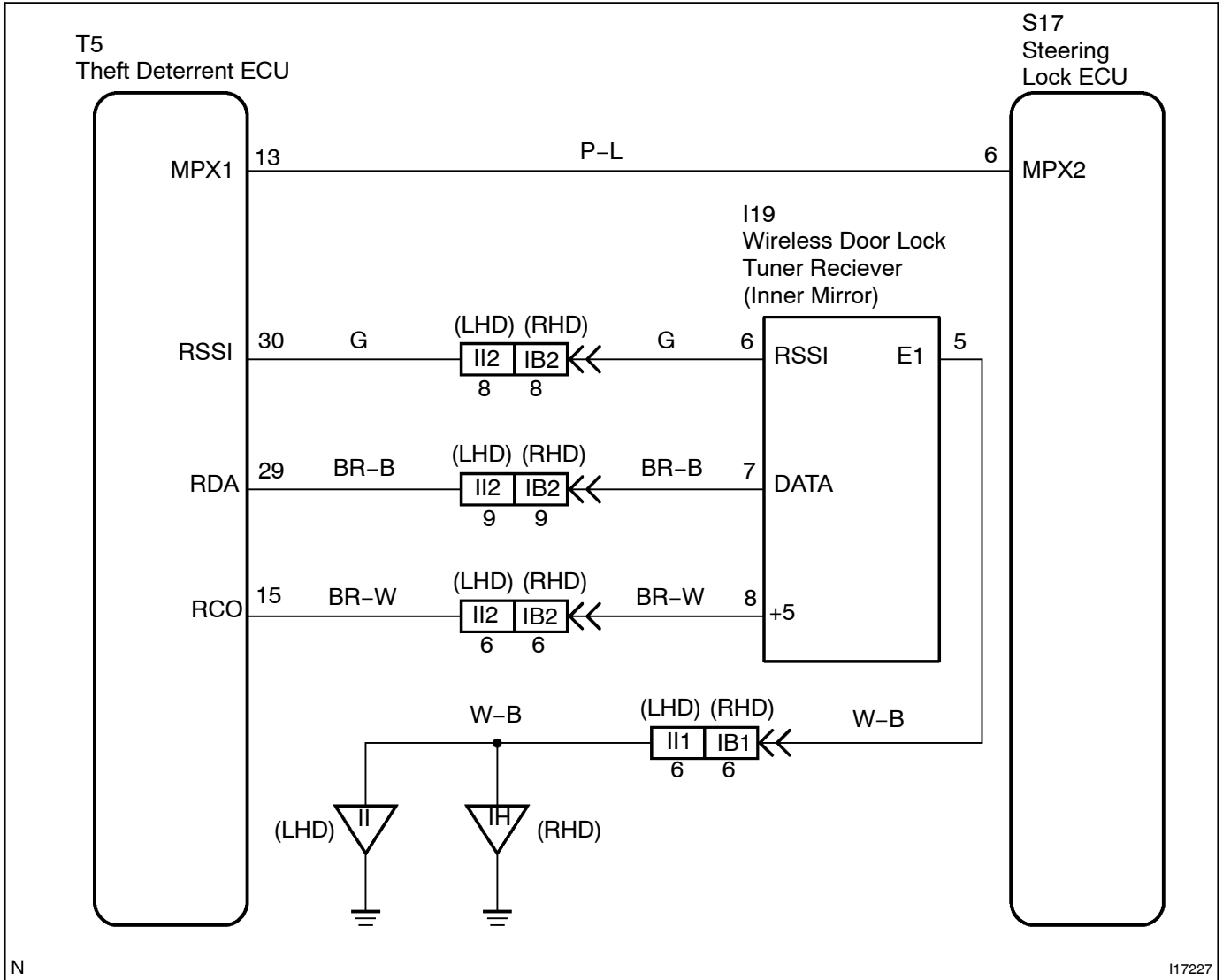
The Steering Lock ECU communicates through BEAN with the Theft Deterrent ECU on whether or not the interior verification is performed. This Steering Lock ECU detects this DTC when trouble is detected in this communication. The following conditions are also considered as communication errors and this DTC is output.

- Either the Theft Deterrent ECU or the Steering Lock ECU is replaced, and the replaced ECU's COMMUNICATION ID is different from the other ECU's (Be sure to register the COMMUNICATION ID again when either ECU is replaced)
- The interior verification in the Theft Deterrent ECU is failed. (Ex. 1 The interior verification is performed with the key outside the interior verification area, 2. The smart key is in the place where the room oscillator wave cannot reach, 3. The smart key battery shutoff, etc.)

This DTC is automatically cleared when the interior verification's normal operation is confirmed in the next "Communication on Whether or not the Interior Verification is Performed" (when the Smart Ignition is performed normally, the interior verification operation is considered normal.)

DTC No.	DTC Detecting Condition	Trouble Area
B2775	<ul style="list-style-type: none"> • COMMUNICATION ID is different in communication with Theft Deterrent ECU. • No response or abnormal response in communication with the Theft Deterrent ECU 	<ul style="list-style-type: none"> • Smart key • Wire harness • Theft Deterrent ECU • Steering Lock ECU

WIRING DIAGRAM



N

117227

INSPECTION PROCEDURE

1	Check that all smart keys that user has can perform smart ignition.
---	--

RESULT:

A	All keys start the engine.
B	A specific key does not start the engine. In this case, ECU detects DTC (B2775).
C	All keys do not start the engine. In this case, ECU detects DTC (B2775).

A**No problem at this time.****HINT:**

The system is normal.

It is suspected that interior verification was failed in the past.

B**A specific key is faulty.****HINT:**

In this case, the following 3 causes are suspected.

- (a) Key battery shutoff.
- (b) Key is faulty.
- (c) Key is unregistered.
- (d) As for (a) and (b), replace the battery or the key.

C

Interior verification-related components are faulty.

HINT:

In this case, the room oscillator, the wireless tuner and the Theft Deterrent ECU are probably faulty.

Therefore, proceed to the troubleshooting in "Smart ignition cannot be performed" in the problem symptoms table for the Theft Deterrent System.