

DTC	P1520/52	Stop light switch circuit
------------	-----------------	----------------------------------

CIRCUIT DESCRIPTION

When the brake pedal is depressed, the stop light switch sends a signal to the Engine and ECT ECU. When the Engine and ECT ECU receives this signal, it cancels the cruise control.

A fail-safe function is provided so that the cancel functions normally, even if there is a malfunction in the stop light signal circuit.

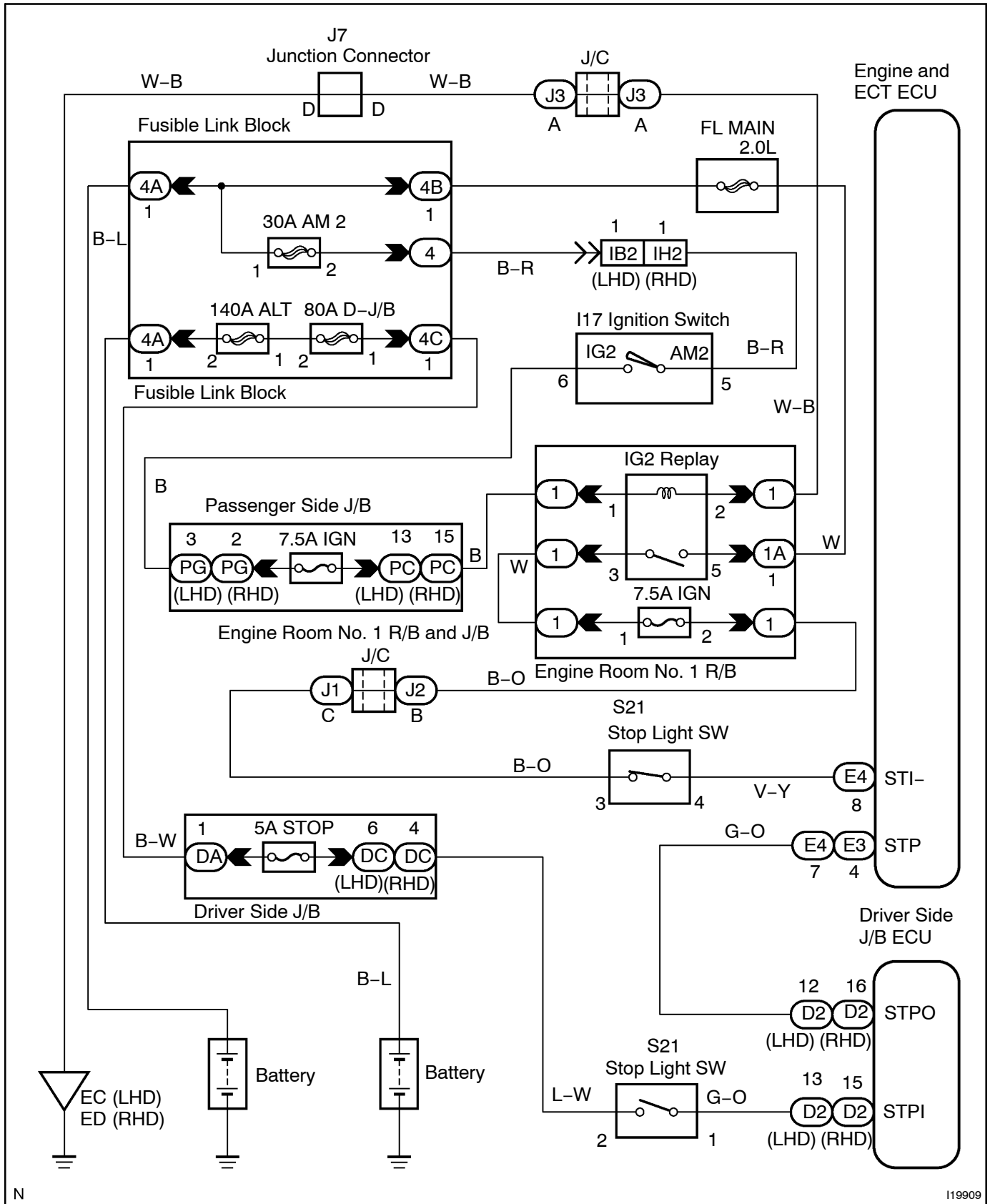
The cancel conditions are: Battery positive voltage at terminal STP-

When the brake is depressed, battery positive voltage normally applies through the STOP fuse and stop light switch to terminal STP- of the Engine and ECT ECU, and the Engine and ECT ECU turns the cruise control off.

If the harness connected to terminal STP- has an open circuit, terminal STP- will have battery voltage and the cruise control will be turned off.

DTC No.	Detection Item	Trouble Area
P1520/52	Stop light switch circuit.	<ul style="list-style-type: none"> • Stop light switch • Harness or connector between Engine and ECT ECU and stop light switch circuit • Engine and ECT ECU

WIRING DIAGRAM



N

119909

INSPECTION PROCEDURE

HINT:

In case of using the LEXUS hand-held tester, start the inspection from step 1 and in case of not using the LEXUS hand-held tester, start from step 2.

1	Check stop light switch using LEXUS hand-held tester.
----------	--

PREPARATION:

Connect the LEXUS hand-held tester to the DLC3.

CHECK:

Check the stop light switch using DATA LIST.

OK:

Condition	Stop light switch 1 (Sub CPU)	Stop light switch 2 (Sub CPU)	Stop light switch 2 (Main CPU)
Depressed	ON	ON	ON
Released	OFF	OFF	OFF

HINT:

- Stop light SW 1 has a function to disconnect the connection (OFF) when the pedal is depressed, however, ECM controls by the logic reverse, so with the LEXUS hand-held tester, it displays ON.
- Stop light SW 1 indicates the input of ST1-terminal and Stop light SW 2 indicates the input of STP terminal.

OK

Proceed to next circuit inspection shown on problem/symptom table (See page DI-862).

NG

2	Check stop light switch (See page BE-58).
----------	--

NG

Replace stop light switch.

OK

3 Check wire harness and connector between terminal STP of Engine and ECT ECU and stop light switch, and terminal ST1 of Engine and ECT ECU and stop light switch (See page IN-35).

NG

Repair or replace harness or connector.

OK

Proceed to next circuit inspection shown on problem symptoms table (See page DI-862).