

Wireless Door Lock Tuner Circuit (Luggage Room)

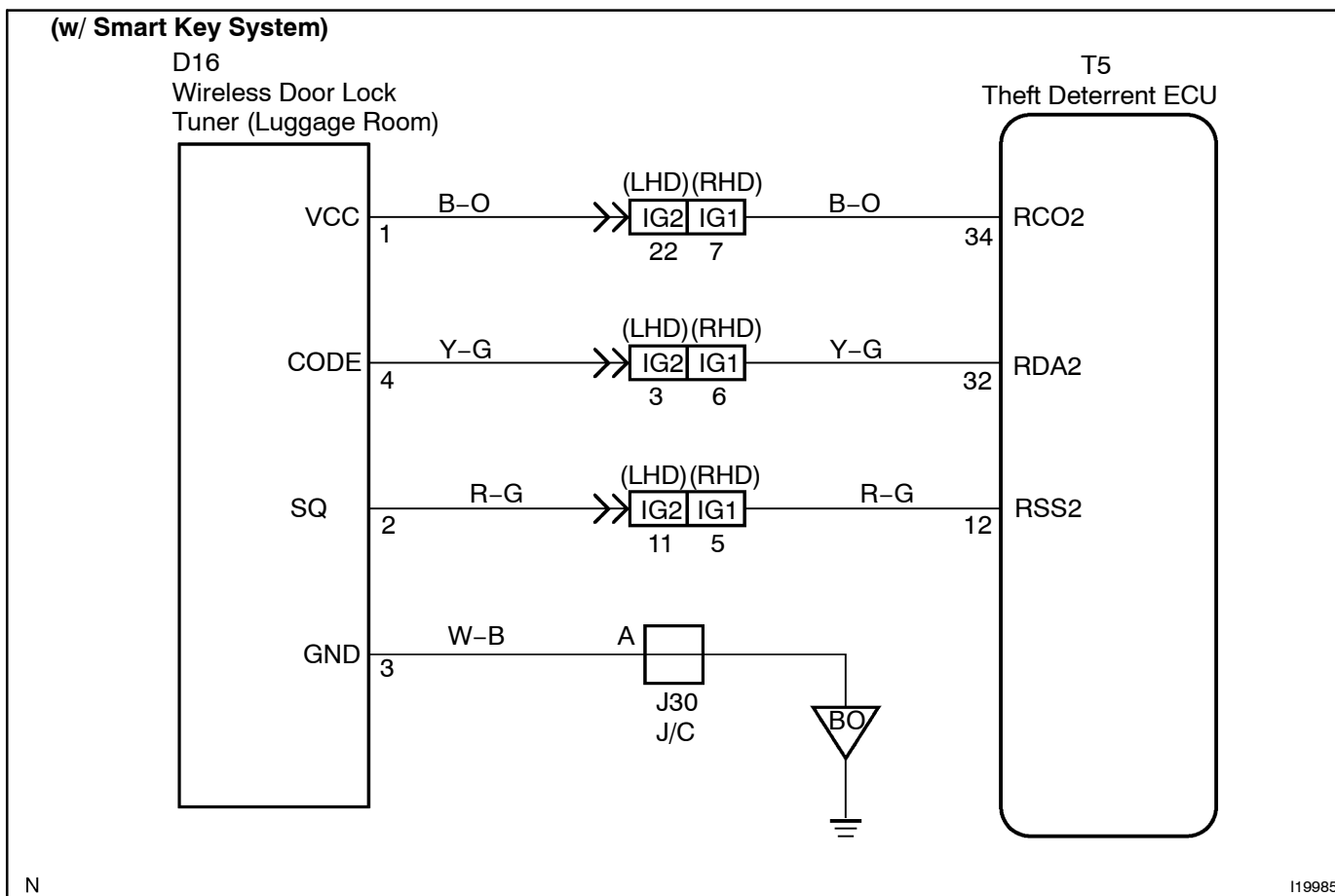
CIRCUIT DESCRIPTION

The signal of the smart key is sent to either the inner mirror receiver or the luggage room receiver and input to the Theft Deterrent ECU.

RDA2 and RSS2 lines of the luggage room receiver are self-diagnosed by the Theft Deterrent ECU.

Therefore, check for DTC if the smart key has malfunction.

WIRING DIAGRAM



INSPECTION PROCEDURE

1 Check that DTC B1242 is not output.

NG

Check the RDA2 and RSS2.

OK

2 Check wire harness

PREPARATION:

Disconnect connectors of the luggage door lock and Theft Deterrent ECU.

CHECK:

Check continuity between terminals RCO2 of the wireless door lock tuner (luggage) and RCO2 of Theft Deterrent ECU.

OK:

Continuity

NG

Repair or replace wire harness.

OK

3 Check the wireless door lock tuner (luggage) (See page BE-121).

CHECK:

Replace the wireless door lock tuner (luggage) and check if it recovers normally.

OK:

It recovers normally.

NG

Proceed to next circuit inspection shown on problem symptoms table (See page DI-810).

OK

Failure of the original wireless door lock tuner (luggage).