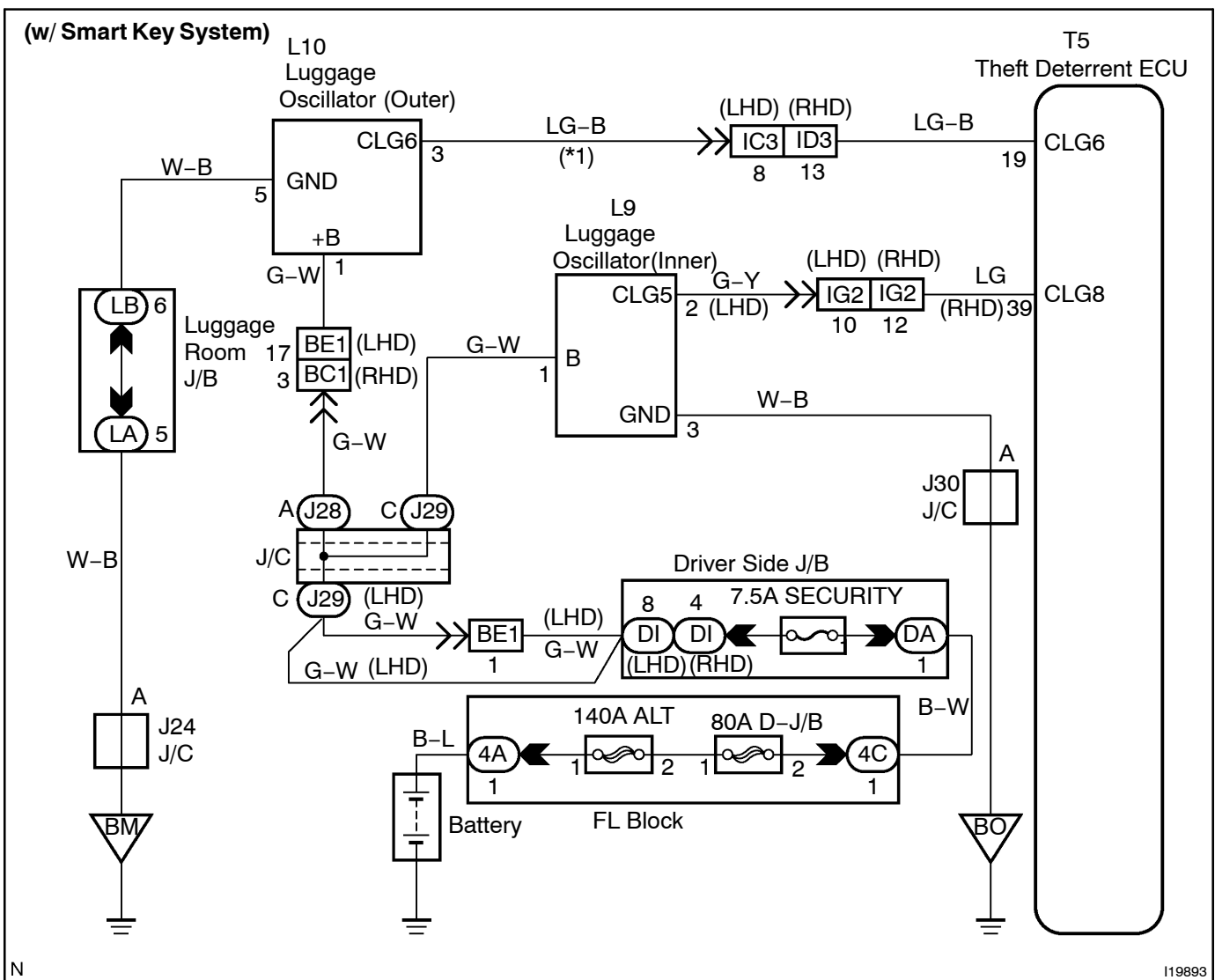


Luggage Oscillator Circuit (Inner, Outer)

CIRCUIT DESCRIPTION

The Theft Deterrent ECU activates the inner and outer Luggage oscillators through the CLG terminal. The power is supplied from the Luggage room J/B to both inner and outer Luggage oscillators. Both inner/outer Luggage oscillator circuits have the same wiring. If troubles occur, check the circuit on the corresponding oscillator.

WIRING DIAGRAM



N

I19893

INSPECTION PROCEDURE

HINT:

In case of using the LEXUS hand-held tester, start the inspection from step 1 and in case of not using the LEXUS hand-held tester, start from step 2.

1 Check luggage oscillator using LEXUS hand-held tester.

PREPARATION:

Connect the LEXUS hand-held tester to the DLC3.

CHECK:

Check the luggage oscillator can be operated in ACTIVE TEST.

OK:

When the smart key is brought to the luggage oscillator that is turned ON, the smart indicator lights.

OK

Proceed to next circuit inspection shown on problem symptoms table (See page DI-810)

NG

2 Check wire harness and connector between luggage oscillator and theft deterrent ECU (See page IN-35).

NG

Repair or replace wireharness or connector.

OK

3 Check luggage oscillator.

CHECK:

Replace the luggage oscillator and make sure that the system returns to the normal operation.

OK:

It recovers normally.

OK

The replaced luggage oscillator trouble.

NG

Proceed to next circuit inspection shown on problem symptoms table (See page DI-810)