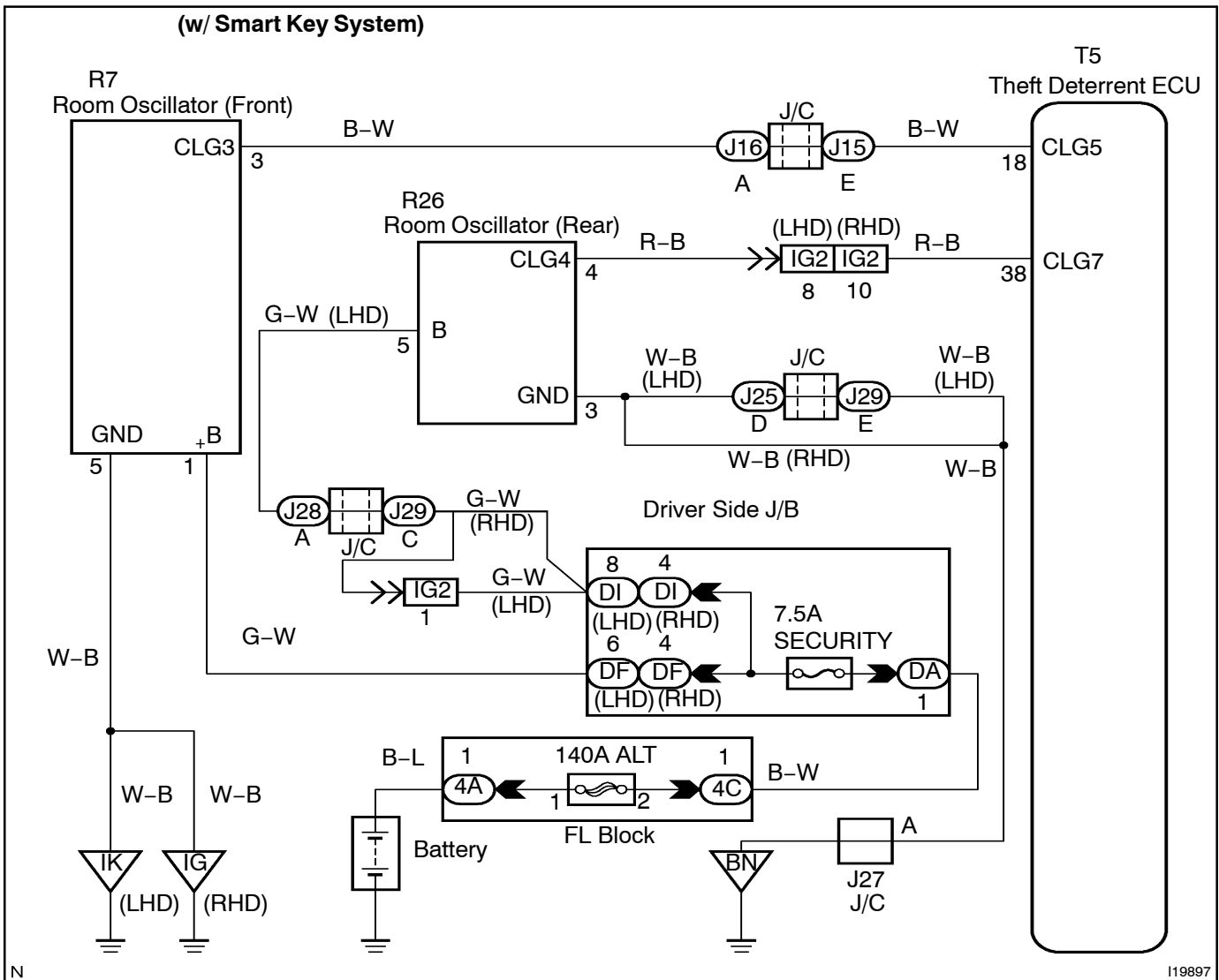


Room Oscillator circuit (Front, Rear)

CIRCUIT DESCRIPTION

The Theft Deterrent ECU activates the indoor oscillator (Fr, Rr) through the CLG terminal. The power is supplied from the Driver Side J/B to the indoor oscillator on both Fr and Rr sides. The indoor oscillator circuits in both Fr and Rr sides have the same wiring. If troubles occur, check the corresponding circuit.

WIRING DIAGRAM



INSPECTION PROCEDURE**HINT:**

In case of using the LEXUS hand-held tester, start the inspection from step 1 and in case of not using the LEXUS hand-held tester, start from step 2.

1 Check room oscillator using LEXUS hand-held tester.

PREPARATION:

Connect the LEXUS hand-held tester to the DLC3.

CHECK:

Check the room oscillator can be operated in ACTIVE TEST.

OK:

When the smart key is brought close to the room oscillator that is turned ON, the indicator on the smart lights.

OK

Proceed to next circuit inspection shown on problem symptoms table. (See page DI-810)

NG

2 Check wire harness and connector between room oscillator and theft deterrent ECU (See page IN-35).

NG

Repair or replace wireharness or connector

OK

3 Check room oscillator.

CHECK:

Replace the room oscillator and make sure that the system returns to the normal operation.

OK:

It recovers normally.

OK

The replaced room oscillator trouble.

NG

Proceed to next circuit inspection shown on problem symptoms table (See page DI-810)