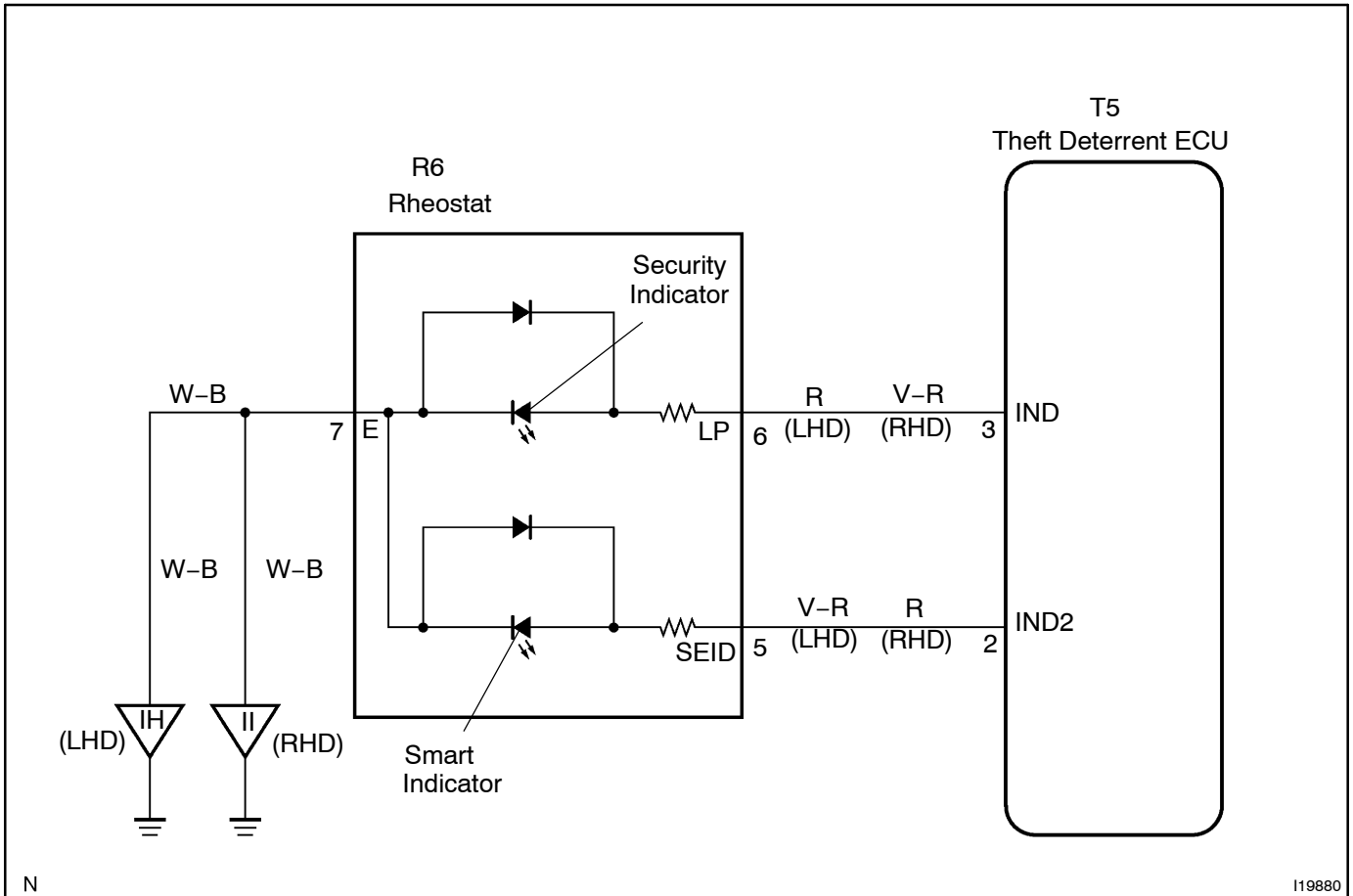


# Smart Indicator Circuit

## CIRCUIT DESCRIPTION

The Theft Deterrent ECU lights the smart indicator to tell the condition of the smart key system.

## WIRING DIAGRAM



N

I19880

## INSPECTION PROCEDURE

### HINT:

In case of using the LEXUS hand-held tester, start the inspection from step 1 and in case of not using the LEXUS hand-held tester, start from step 2.

1 Check smart indicator using LEXUS hand-held tester.

### PREPARATION:

Connect the LEXUS hand-held tester to the DLC3.

### CHECK:

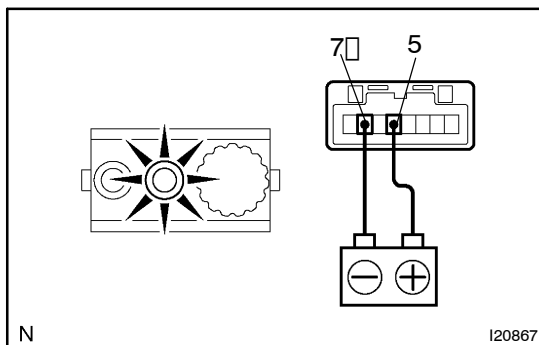
Check that the smart indicator lights in ACTIVE TEST.

OK

Proceed to next circuit inspection shown in problem symptoms table (See page DI-810).

NG

2 Check smart indicator.



### CHECK:

Connect the positive (+) lead from the battery to terminal 5 and negative (-) lead to terminal 7, and check that the indicator light lights up.

### OK:

Indicator light lights up.

NG

Replace rheostat (w/ Smart indicator).

OK

3 Check wire harness and connector between theft deterrent ECU and smart indicator, smart indicator and body ground (See page IN-35).

NG

Repair or replace wire harness or connector.

OK

Proceed to next numbered circuit inspection shown in problem table (See page DI-810).