

Theft Deterrent Horn Circuit (Except Europe Models)

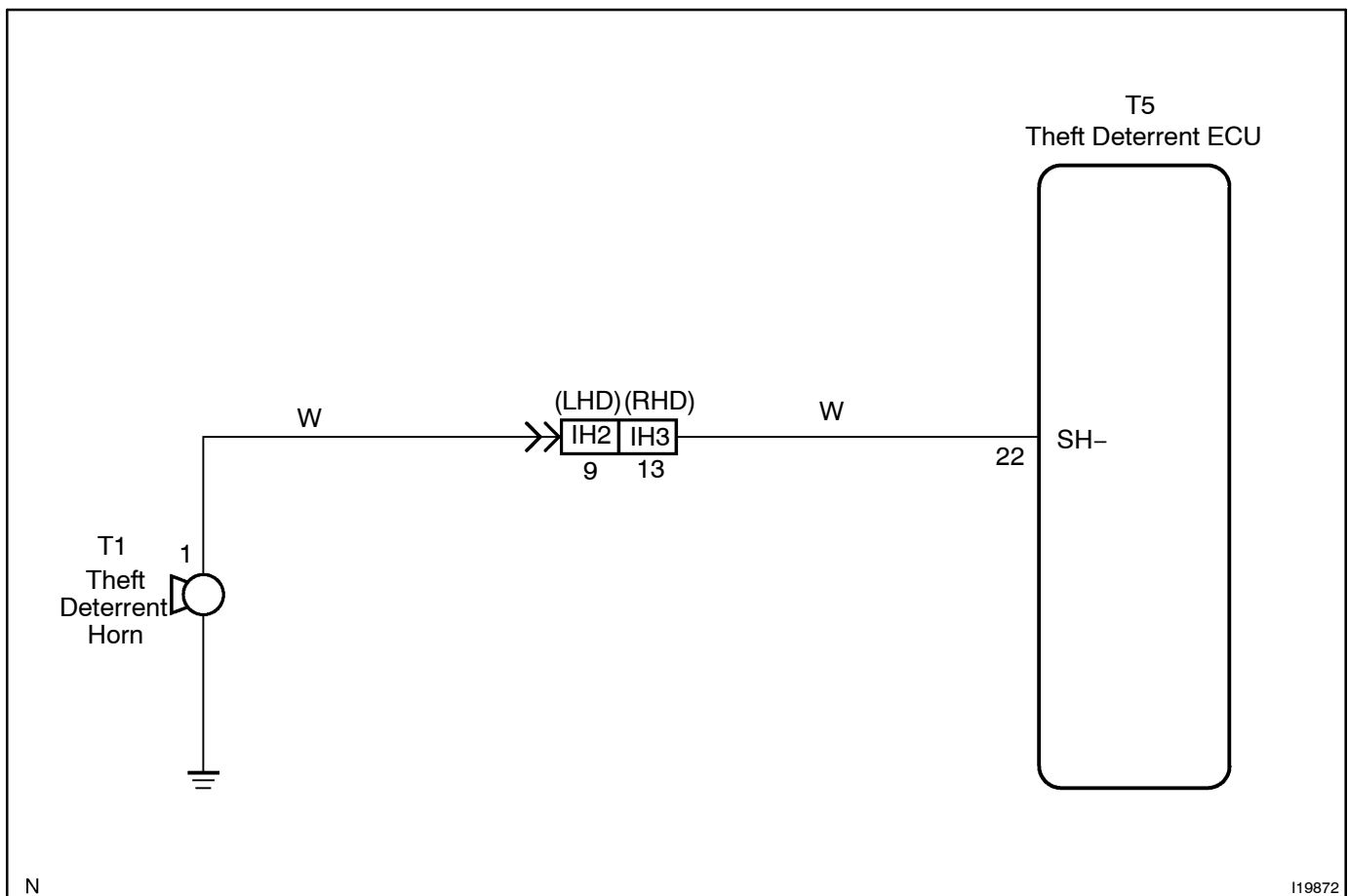
CIRCUIT DESCRIPTION

When the theft deterrent system is activated, the relay in the ECU is turned ON and OFF at of approximately 0.2 sec. interval, causing the theft deterrent horn to blow (See the wiring diagram below).

In this condition, if any of the following operations is done, the relay in the ECU is turned OFF, thus stopping the theft deterrent horn from blowing:

- (1) Unlock the driver door with key.
- (2) Turn the ignition switch to ON position.
- (3) Unlock the doors with the wireless door lock control system.
- (4) Wait for approximately 27.5 seconds.
- (5) Press the panic switch of the wireless door lock control system.

WIRING DIAGRAM



INSPECTION PROCEDURE

HINT:

In case of using the LEXUS hand-held tester, start the inspection from step 1 and in case of not using the LEXUS hand-held tester, start from step 2.

1 Check theft deterrent horn using LEXUS hand-held tester.

PREPARATION:

Connect the LEXUS hand-held tester to the DLC3.

CHECK:

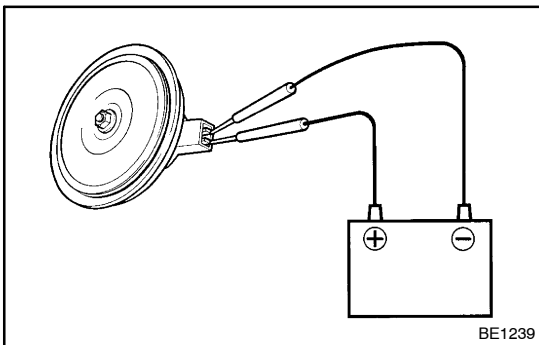
Check that the theft deterrent horn sounds in ACTIVE TEST.

OK

Proceed to next circuit inspection shown on problem symptoms table (See page DI-810).

NG

2 Check theft deterrent horn.



CHECK:

Connect positive (+) lead to terminal 1 and negative (-) lead to body ground of theft deterrent horn connector, and that the theft deterrent horn blows.

OK:

Horn sound

NG

Replace theft deterrent horn.

OK

3 Check wireharness and connector between theft deterrent ECU and theft deterrent horn (See page N-24).

NG

Check and repair wire harness or connector.

OK

Proceed to next circuit inspection shown on problem symptoms table (See page DI-810).