

Security Indicator Circuit

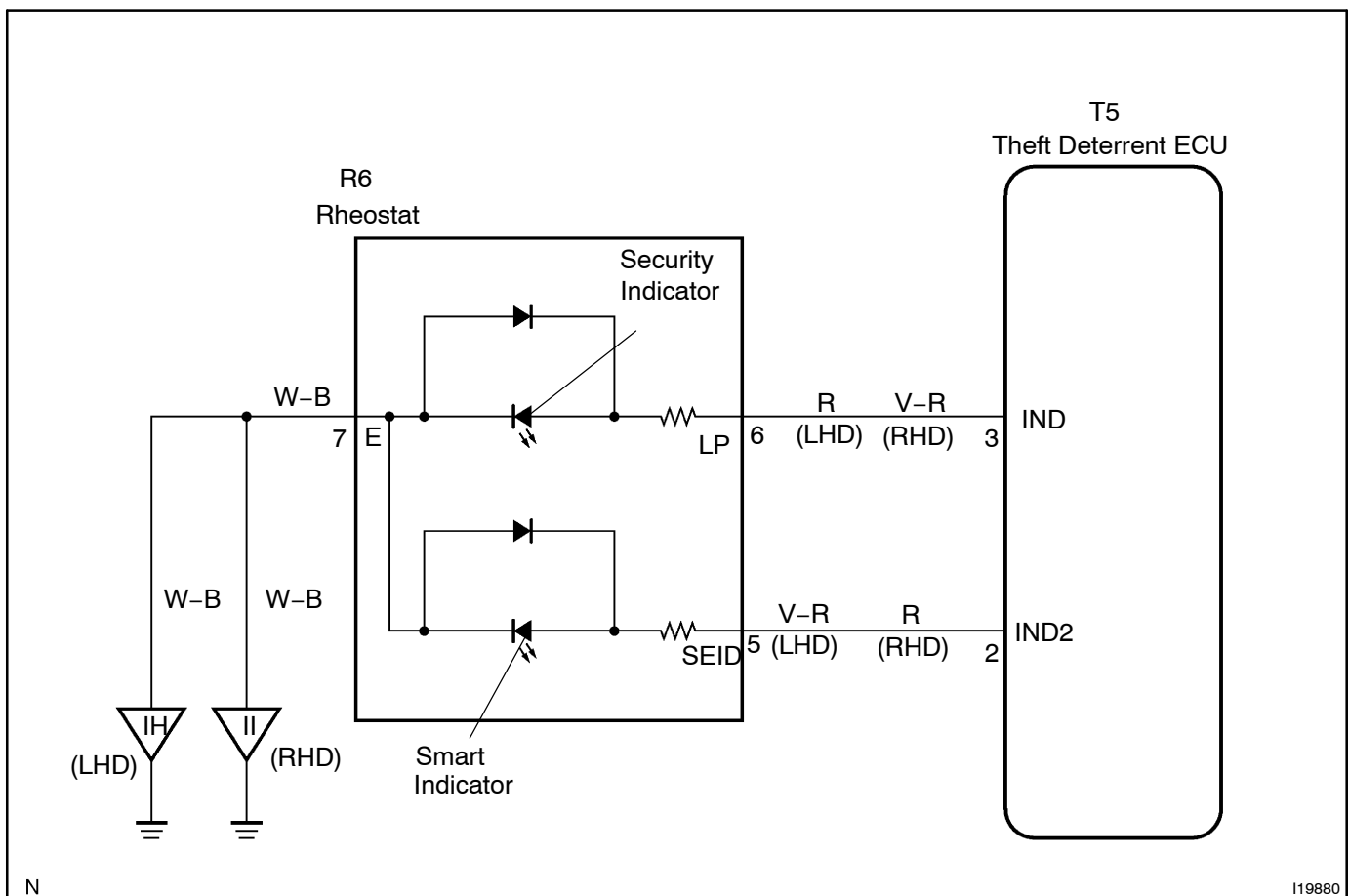
CIRCUIT DESCRIPTION

When the theft deterrent system is preparing to be set, this circuit lights up the indicator.

When the system is set, the indicator blinks.

It also indicates the condition of the immobiliser system according to the request from the Transponder Key ECU (The Steering Lock ECU).

WIRING DIAGRAM



N

I19880

INSPECTION PROCEDURE

HINT:

In case of using the LEXUS hand-held tester, start the inspection from step 1 and in case of not using the LEXUS hand-held tester, start from step 2.

1 Check security indicator using LEXUS hand-held tester.

PREPARATION:

Connect the LEXUS hand-held tester to the DLC3.

CHECK:

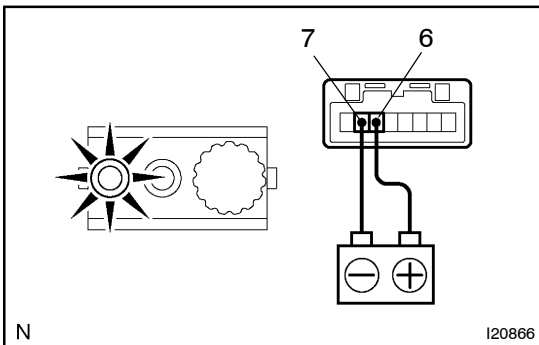
Check that the theft deterrent in the indicator lights in ACTIVE TEST.

OK

Proceed to next circuit inspection shown in problem symptoms table (See page DI-810).

NG

2 Check security indicator.



CHECK:

Connect the positive (+) lead from the battery to terminal 6 and negative (-) lead to terminal 7, and check that the warning light lights up.

OK:

Indicator light lights up.

NG

Replace theostat (w/ Security indicator).

OK

3 Check wire harness and connector between theft deterrent ECU and indicator, indicator and body ground (See page IN-35).

NG

Repair or replace harness or connector.

OK

Proceed to next circuit inspection shown in problem symptoms table (See page DI-810).