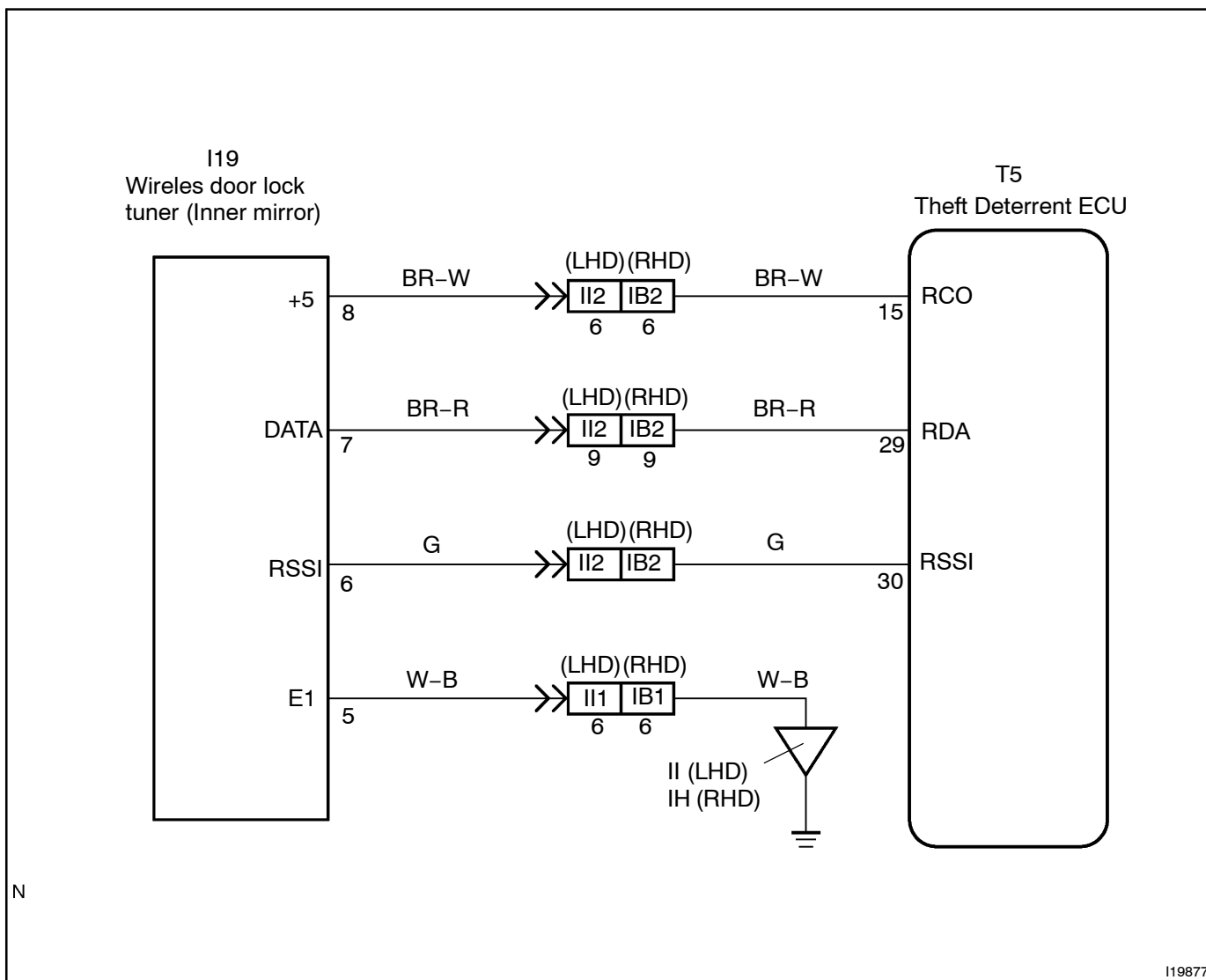


Wireless Door Lock Tuner (Inner Mirror)

CIRCUIT DESCRIPTION

This tuner is used for the wireless door lock system and the smart key system. The signal from the transmitter (smart key) will be input to the theft deterrent ECU through RDA line. RDA and RSSI lines are diagnosed by the theft deterrent ECU, so check DTC also in case of the failure of the wireless door lock system or the smart key system.

WIRING DIAGRAM



INSPECTION PROCEDURE

1 Check that DTC B1242 is not output.

NG

Check the RDA and RSSI lines.

OK

2 Check wire harness.

PREPARATION:

Disconnect the connectors of the wireless door lock tuner and the Theft Deterrent ECU.

CHECK:

Check continuity between terminals RCO of the wireless door lock tuner and RCO of the Theft Deterrent ECU.

OK:

Continuity

NG

Repair or replace wire harness.

OK

3 Check wireless door lock tuner.

CHECK:

Replace the wireless door lock tuner and check if it recovers normally.

OK:

It recovers normally.

NG

Proceed to next circuit inspection shown on problem symptoms tables (See page DI-810)

OK

Failure of the original wireless door lock tuner.