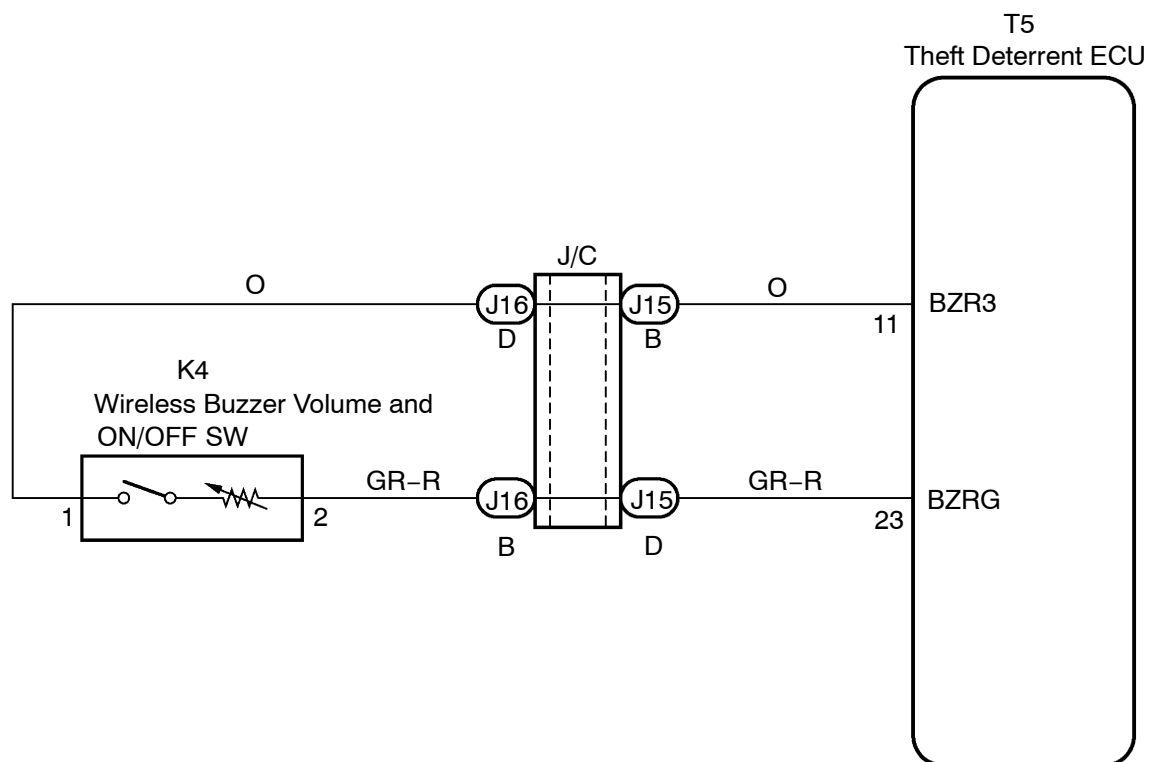


Wireless Buzzer Volume and ON/OFF Switch Circuit

WIRING DIAGRAM



N

I19890

INSPECTION PROCEDURE

1 Check wireless door lock buzzer volume (See page BE-121).

NG

Replace wireless door lock buzzer volume.

OK

2 Check wireless and connector between wireless door lock buzzer volume and theft/deterrent ECU (See page IN-35).

NG

Repair or replace wireless or connector.

OK

Proceed to next circuit inspection shown on problem symptoms table (See page DI-810).