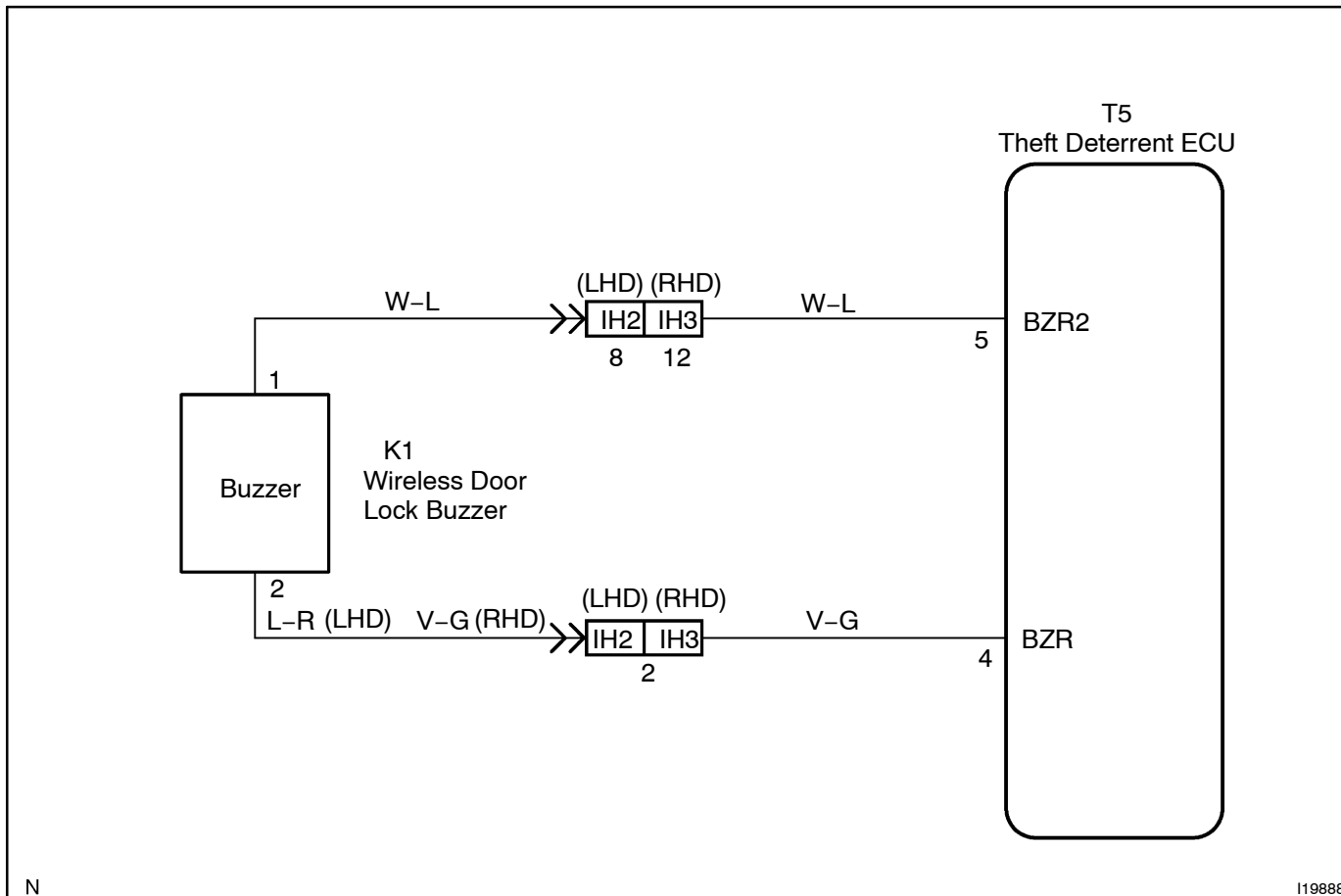


## Wireless Door Lock Buzzer Circuit

### WIRING DIAGRAM



**INSPECTION PROCEDURE****HINT:**

In case of using the LEXUS hand-held tester, start the inspection from step 1 and in case of not using the LEXUS hand-held tester, start from step 2.

**1** Check wireless door lock buzzer using LEXUS hand-held tester.

**PREPARATION:**

Connect the LEXUS hand-held tester to the DLC3.

**CHECK:**

Check that the wireless door lock buzzer can be operated in ACTIVE TEST.

**OK:**

The keyless buzzer sounds.

OK

Proceed to next circuit inspection shown on problem symptoms table (See page DI-1197).

NG

**2** Check wireless door lock buzzer (See page DI-780).

NG

Replace wireless door lock buzzer.

OK

**3** Check wireless and connector between wire harness wireless door lock buzzer and theft deterrent ECU (See page IN-35).

NG

Repair or replace wireless or connector.

OK

Proceed to next circuit inspection shown on problem symptoms table (See page DI-1197).