

DTC	B2762	Intrusion sensor signal circuit malfunction (Europe Models)
------------	--------------	--

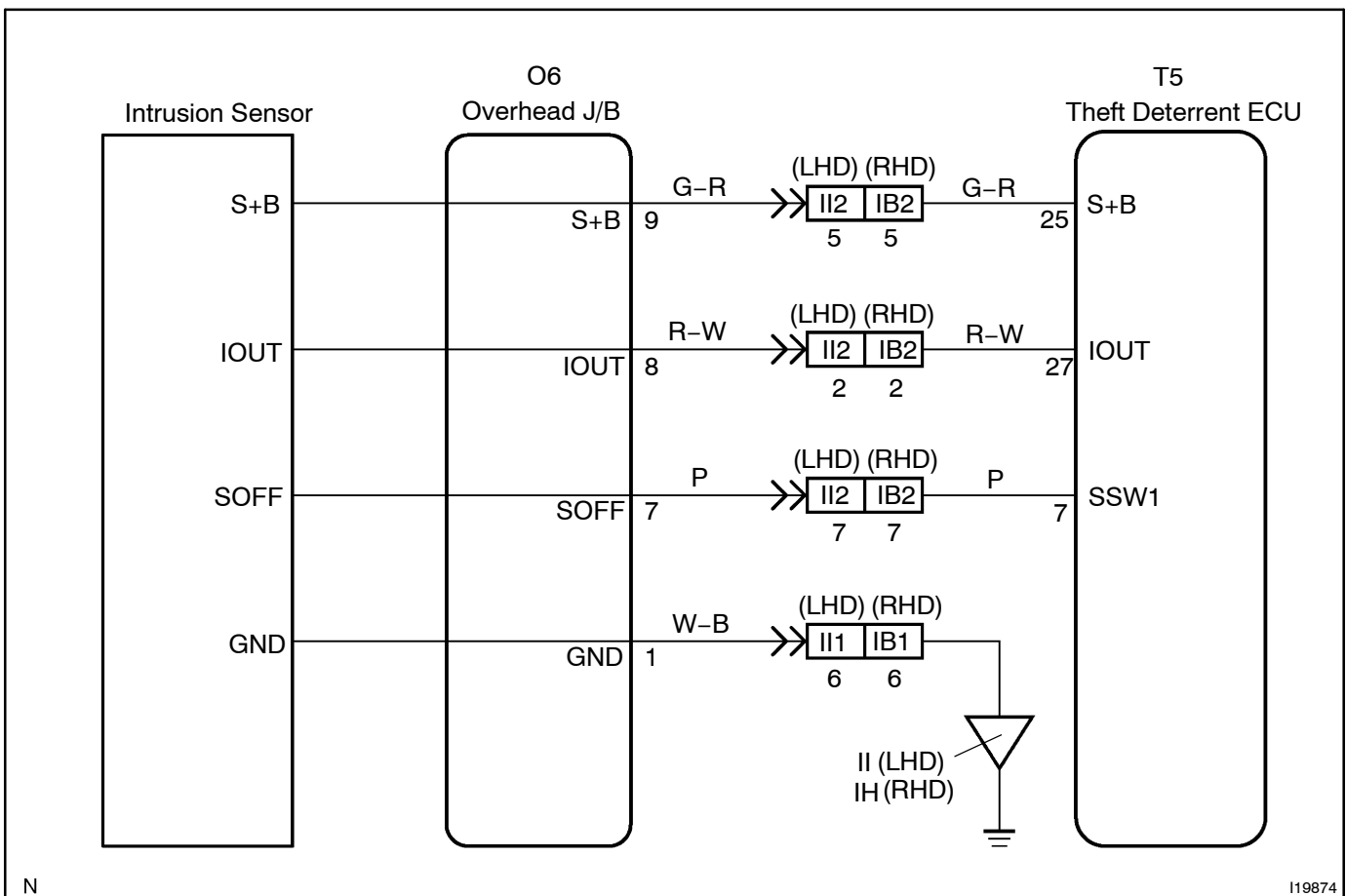
CIRCUIT DESCRIPTION

The intrusion sensor conducts self-diagnosis right after the power is supplied to the sensor itself (when the theft deterrent system is set.).

If troubles are detected in the IOOUT line, the Theft Deterrent ECU outputs DTC for the trouble.

DTC No.	DTC Detection Condition	Trouble Area
B2762	<ul style="list-style-type: none"> After it receives a normal / trouble signal from the radar sensor as a result of self-diagnosis, the following troubles are detected: <ol style="list-style-type: none"> IOOUT circuit is opened Reception of signals other than a normal / trouble signal 	<ul style="list-style-type: none"> Intrusion sensor Wire harness Theft Deterrent ECU

WIRING DIAGRAM



- 1 Check wire harness and connector between intrusion sensor and theft deterrent ECU. (Including overhead J/B and ground circuit of overhead J/B)

HINT:

Refer to see page BE-197 for continuity check inside the overhead J/B.

NG

Repair or replace wireharness or connector.

OK

- 2 Replace intrusion sensor and check that DTC is not output.

PREPARATION:

Replace the intrusion sensor.

CHECK:

Make sure that B2762 is not output.

RESULT:

OK	B2762 is not output.
NG	B2762 is output.

NG

Replace the Theft Deterrent ECU
(See page IN-35).

OK

The replaced intrusion sensor troubles.
Replace the intrusion sensor.