

DTC	B2761	Intrusion Sensor Internal Circuit Malfunction(Europe Models)
------------	--------------	---

CIRCUIT DESCRIPTION

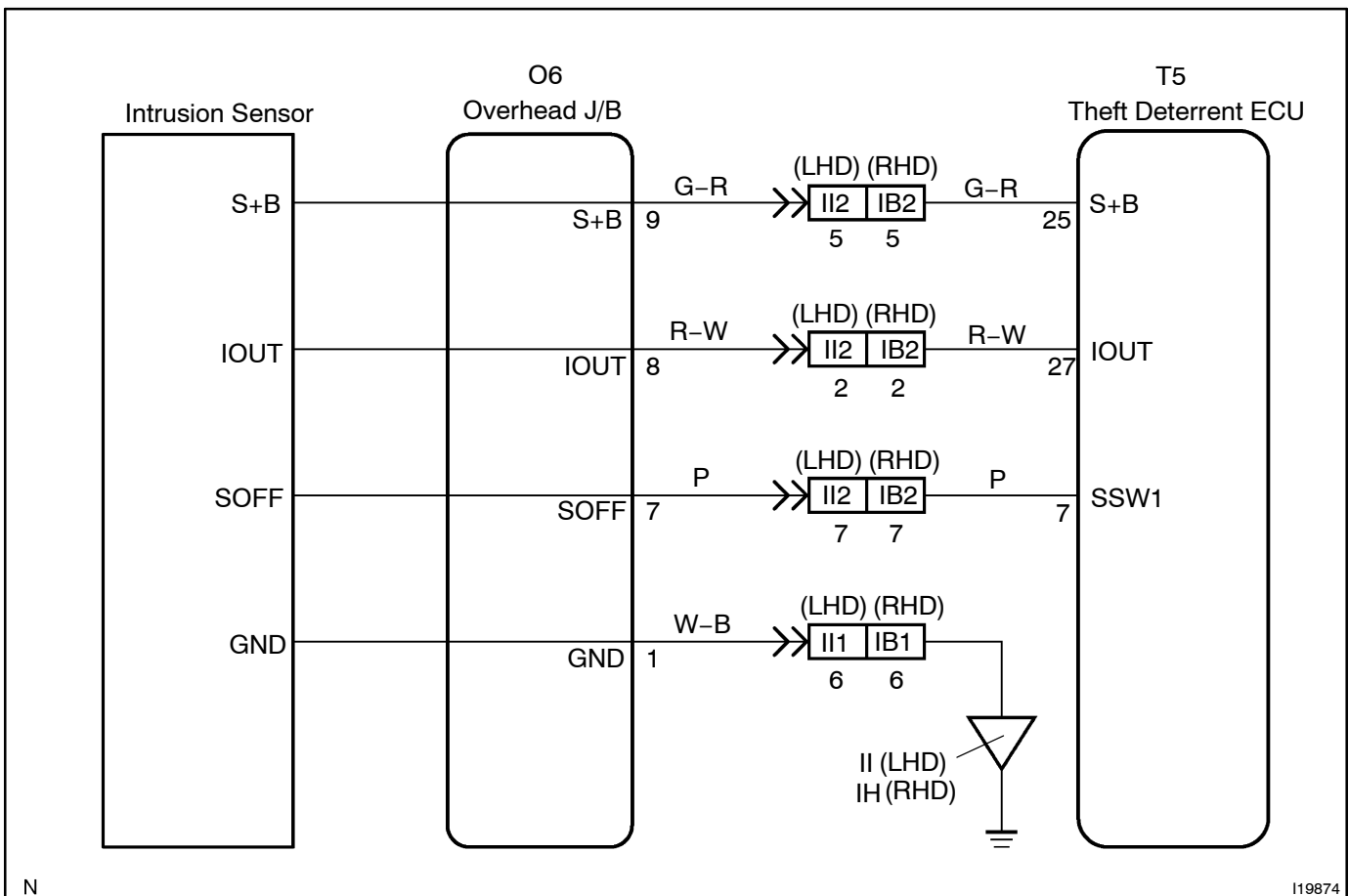
The Intrusion sensor conducts self-diagnosis right after the power is supplied to the sensor itself (when the theft deterrent system is set.).

If troubles are detected in intrusion (wave) transmission / reception or the intrusion sensor's transmission / reception circuit, the intrusion sensor sends the sensor trouble signal to the Theft Deterrent ECU.

The Theft Deterrent ECU outputs DTC for the trouble.

DTC No.	DTC Detecting Condition	Trouble Area
B2761	Received the sensor trouble signal from the intrusion sensor	<ul style="list-style-type: none"> • Intrusion sensor • Theft Deterrent ECU

WIRING DIAGRAM



INSPECTION PROCEDURE

- 1 Set Theft Deterrent system. After that, check whether or not the same DTC is output.

CHECK:

Make sure that the B2761 is not output.

RESULT:

OK	B2761 is not output.
NG	B2761 is output.

OK

No problem.

HINT:

It is suspected that during the last diagnosis mode, data transmission and reception were not performed normally due to the indoor condition.

NG

- 2 Replace intrusion sensor and check DTC is not output.

PREPARATION:

Replace the intrusion sensor.

CHECK:

Make sure that the B2761 is not output.

RESULT:

OK	B2761 is not output.
NG	B2761 is output.

OK

The replaced intrusion sensor trouble.
Replace the intrusion sensor.

NG

Replace the theft deterrent ECU
(See page N-35).