

CIRCUIT INSPECTION

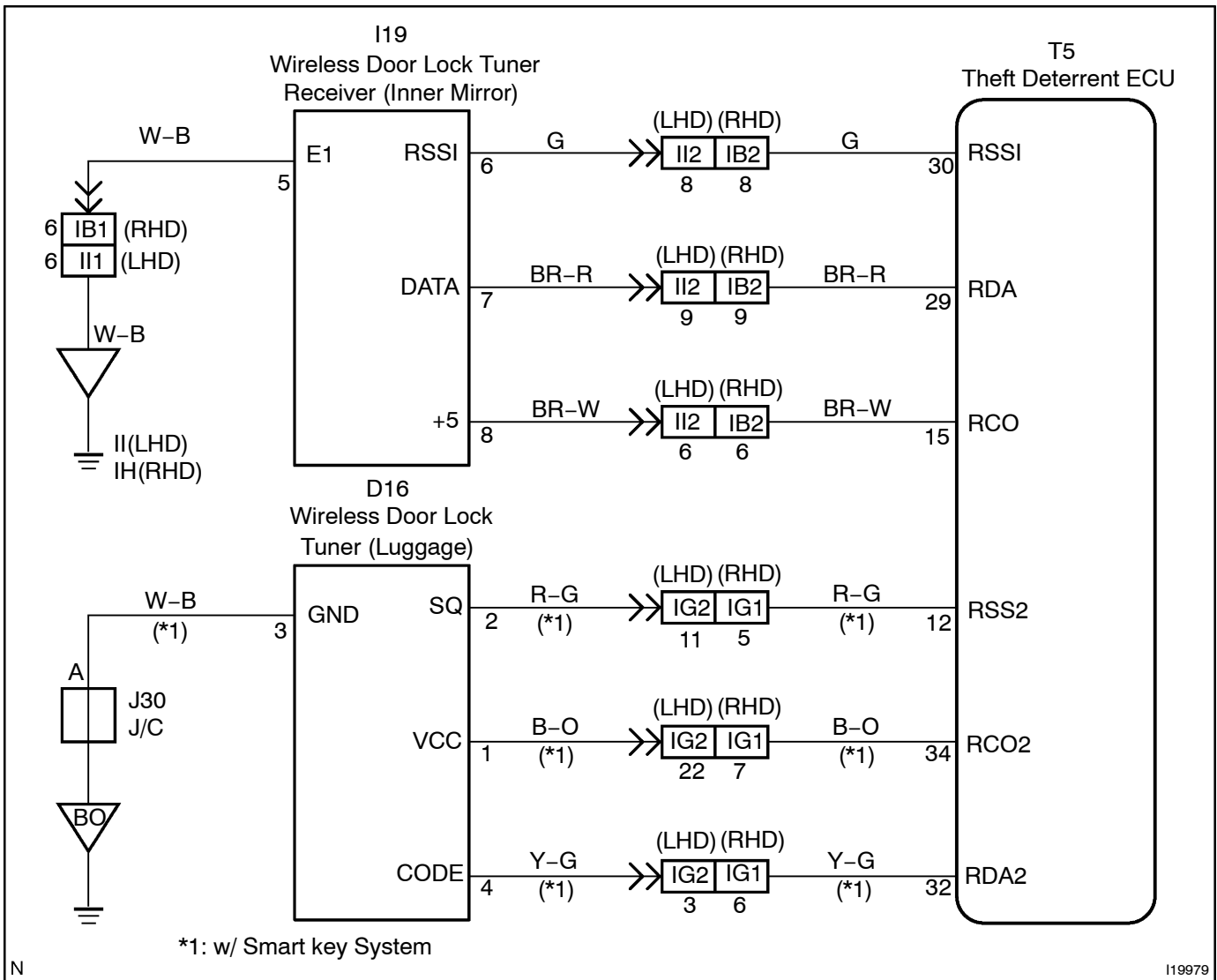
DTC	B1242	Wireless Door Lock Tuner Circuit Malfunction
------------	--------------	-----------------------------------------------------

CIRCUIT DESCRIPTION

This DTC is detected when GND short occurs on the RDA or RSSI lines of the tuner, or on the RDA2 or RSS2 lines (w/Smart) of the LUGGAGE tuner. If this DTC is detected, check the circuit that has communication malfunction.

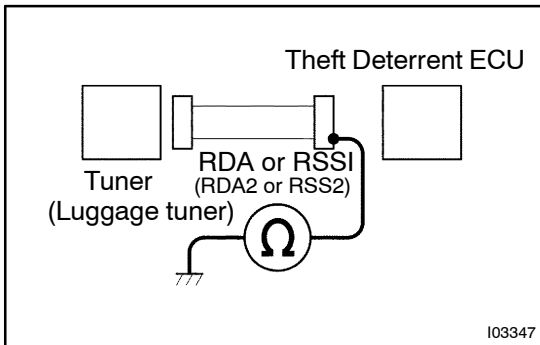
DTC No.	DTC Detection Condition	Trouble Area
B1242	<ul style="list-style-type: none"> GND short of RDA or RSSI terminal of tuner GND short of RDA2 or RSS2 terminal of luggage tuner 	<ul style="list-style-type: none"> Wireharness Wireharness door lock tuner Luggage tuner Theft deterrent ECU

WIRING DIAGRAM



INSPECTION PROCEDURE

1 Check wire harness.

**PREPARATION:**

Disconnect the connectors of the wireless tuner and theft deterrent ECU.

CHECK:

Check continuity between terminals DATA of the wireless tuner and RDA of the theft deterrent ECU.

OK:

Continuity

HINT:

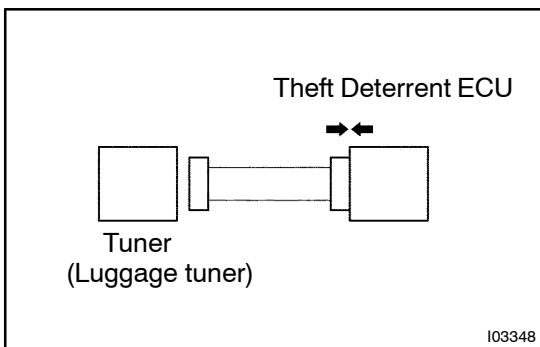
Check the wire harness that has communication malfunction.

NG

Repair or replace wireless tuner.

OK

2 Check theft deterrent ECU.

**PREPARATION:**

Connect the connector of the theft deterrent ECU.

CHECK:

Check the DTC.

OK:

B1242 is not output.

NG

Replace theft deterrent ECU
(See [page IN-35](#)).

OK

Replace wireless tuner (luggage receiver).