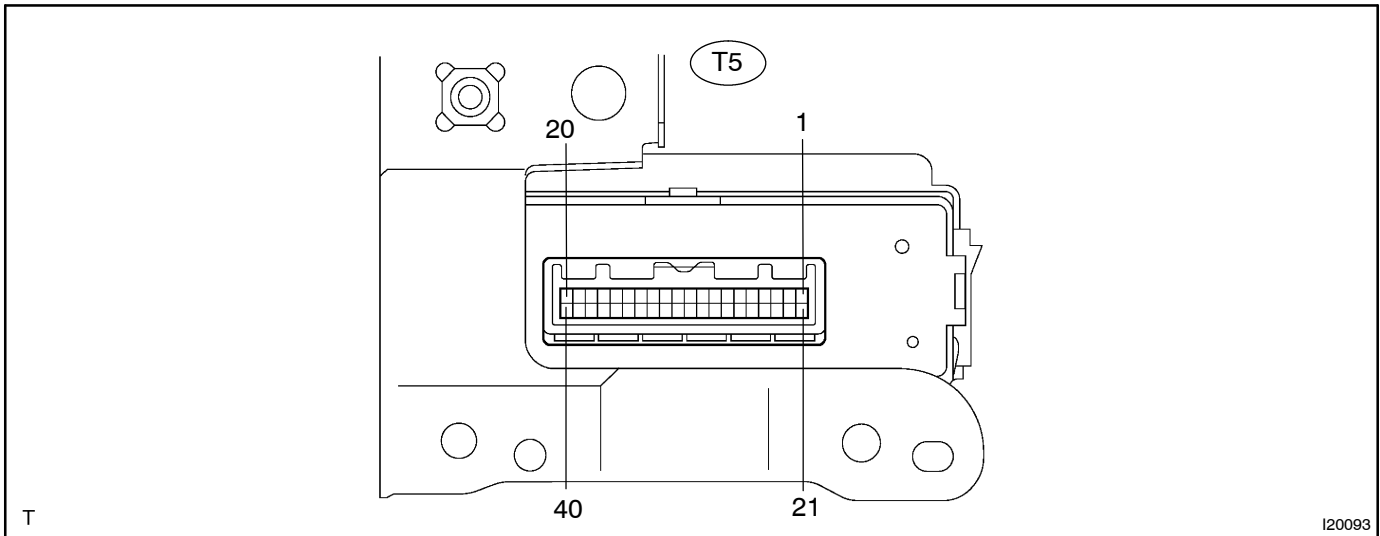


TERMINALS OF ECU



Symbols (Terminals No.)	Wiring Color	Condition	STD Voltage (V)
T5-1 - T5-20 (+B1 - E)	V-Y - W-B	Constant	10 - 14 V
T5-3 - T5-20 (IND - E)	R (LHD), V-R (RHD) - W-B	Security indicator light lights up. (It lights up only for 30 sec. in arming mode. It flash when the immobiliser system is operating.)	3-6V
		Security indicator light does not lights up.	Below 1 V
T5-4 - T5-5 (BZR - BZR2)	V-G - W-L	Wireless door lock buzzer is sounding (Door lock operating using wireless transmitter)	10 - 14 V
		Wireless door lock buzzer is not sounding	Below 1 V
T5-10 - T5-20 (CNSL - E)	P-B - W-B	Smart Key cancel switch ON	Below 1 V
		Smart Key cancel switch OFF	10 - 14 V
T5-11 - T5-23 (BZR3 - BZRG)	O - GR-R	Wireless door lock buzzer is not sounding	Below 1 V
		Wireless door lock buzzer is sounding	10 - 14 V
T5-12 - T5-20 (RSS2 - E)	R-G - W-B	Wireless door lock system is operating	Below 1 V
		Wireless door lock system is not operating	10 - 14 V
T5-13 (MPX1)	P-L	Multiplex communication circuit	
T5-15 - T5-20 (RCO - E)	BR-W - W-B	Wireless door lock system is operating	Below 1 V
		Wireless door lock system is not operating	10 - 14 V
T5-16 - T5-20 (CLG1 - E)	L-R - W-B	Driver door oscillator sensor signal output	Below 1 V
T5-17 - T5-20 (CLG2 - E)	L-B - W-B	Front passenger door oscillator sensor signal output	Below 1 V
T5-18 - T5-20 (CLG5 - E)	B-W - W-B	Room oscillator sensor signal output	Below 1 V
T5-19 - T5-20 (CLG6 - E)	LG-B - W-B	Luggage oscillator sensor signal output	Below 1 V
T5-20 - Body ground (E - Body ground)	W-B - Body ground	Constant	Below 1 V
T5-21 - T5-20 (+B2 - E)	G-W - W-B	Constant	10 - 14 V

DIAGNOSTICS - THEFT DETERRENT SYSTEM

T5-22 - T5-20 (SH - E)	W - W-B	Theft deterrent horn is sounding. (Theft deterrent system is arming mode)	10 - 14 V
		Theft deterrent horn is not sounding.	Below 1 V
T5-24 - T5-20 (IG - E)	R-L - W-B	Ignition switch ON	10 - 14 V
T5-29 - T5-20 (RDA - E)	BR-R - W-B	Wireless door lock system is operating	Below 1 V
		Wireless door lock system is not operating	10 - 14 V
T5-30 - T5-20 (RSSI - E)	G - W-B	Wireless door lock system is operating	Below 1 V
		Wireless door lock system is not operating	10 - 14 V
T5-31 - T5-20 (ACC - E)	GR - W-B	Ignition switch ACC	10 - 14 V
T5-32 - T5-20 (RDA2 - E)	Y-G - W-B	Wireless door lock system is operating	Below 1 V
		Wireless door lock system is not operating	10 - 14 V
T5-33 (MPX2)	P-L	Multiplex communication circuit	
T5-34 - T5-20 (RCO2 - E)	B-O - W-B	Smart Key system is operating	Below 1 V
		Smart Key system is not operating	10 - 14 V
T5-36 - T5-20 (CLG3 - E)	B (LHD), L-W (RHD) - W-B	Driver door oscillator sensor signal output	Below 1 V
T5-37 - T5-20 (CLG4 - E)	BR-B (LHD), B (RHD) - W-B	Front passenger door oscillator sensor signal output	Below 1 V
T5-38 - T5-20 (CLG7 - E)	R-B - W-B	Room oscillator sensor signal output	Below 1 V
T5-39 - T5-20 (CLG8 - E)	G-Y (LHD), LG (RHD) - W-B	Luggage oscillator sensor signal output	Below 1 V