

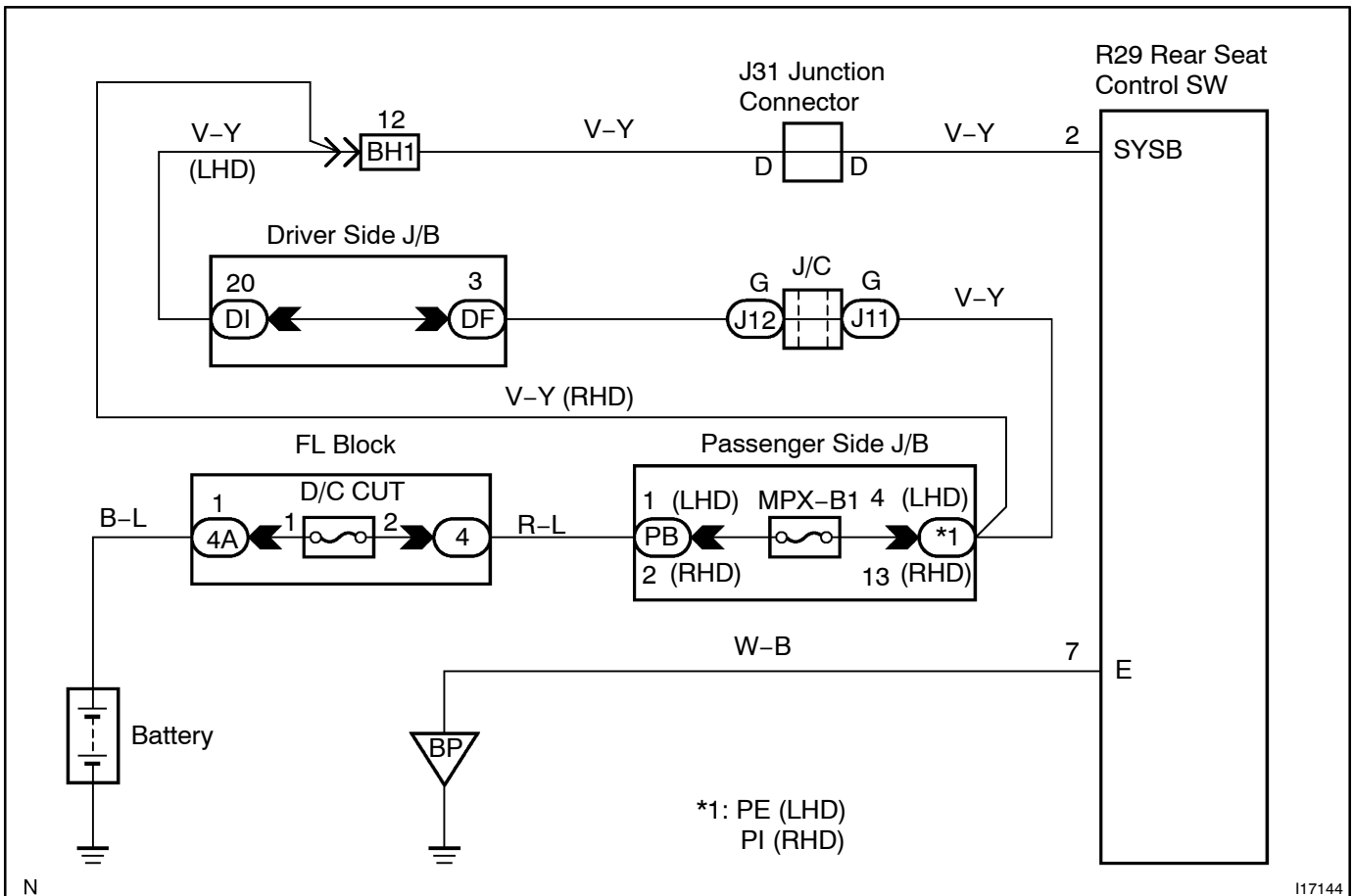
CIRCUIT INSPECTION

Power Source Circuit

CIRCUIT DESCRIPTION

This circuit provides power to operate the rear seat switch.

WIRING DIAGRAM



INSPECTION PROCEDURE

- 1 Check MPX-B1 and D/C CUT fuse.

CHECK:

Check continuity of MPX-B1 and D/C CUT fuse.

OK:

Continuity

NG

Replace the failure fuse.

OK

2 Check voltage between terminal SYSB and GND of rear seat switch.

PREPARATION:

Disconnect the rear seat switch.

CHECK:

Measure voltage between terminals SYSB and GND of rear seat switch.

OK:

Voltage: 10 – 14V

OK

Proceed to next circuit inspection shown on problem symptoms table (See page DI-960).

NG

3 Check wireharness and connector between rear seat switch and body ground (See page DI-930).

NG

Repair or replace wireharness or connector.

OK

Check and repair wireharness and connector between ECU and battery.