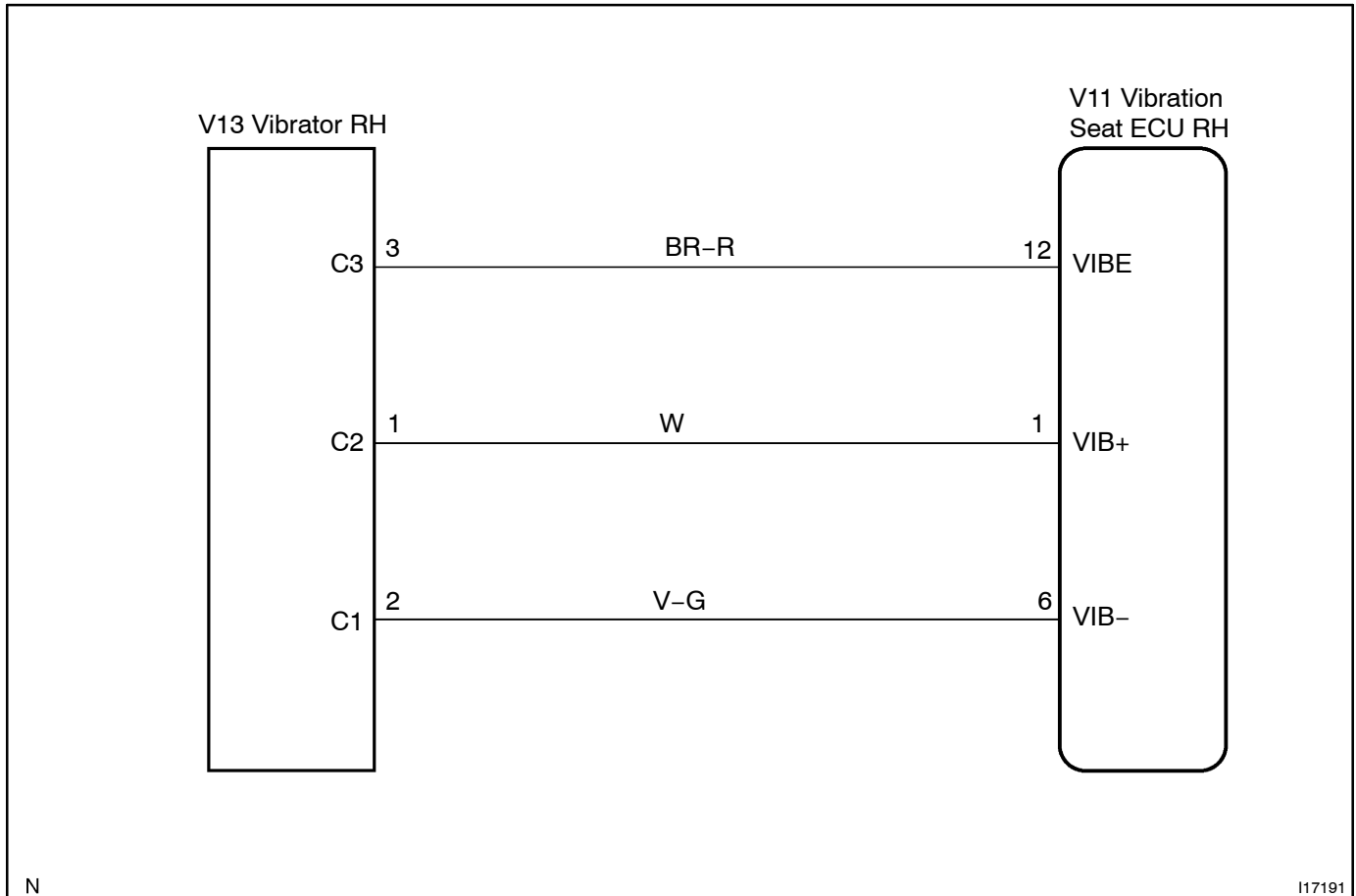


Vibration Circuit

CIRCUIT DESCRIPTION

The Vibration Seat ECU sends an operation command toward the vibrator based on the vibration seat function command from the Rear RH Seat ECU.

WIRING DIAGRAM



INSPECTION PROCEDURE

1 Check vibrator (See page BE-131).

NG

Replace vibrator.

OK

2 Check harness and connector between vibration seat ECU RH and vibrator (See page N-35).

OK

Repair or replace harness or connector.

NG

Proceed to next circuit inspection shown in problem symptoms table (See page DI-765).