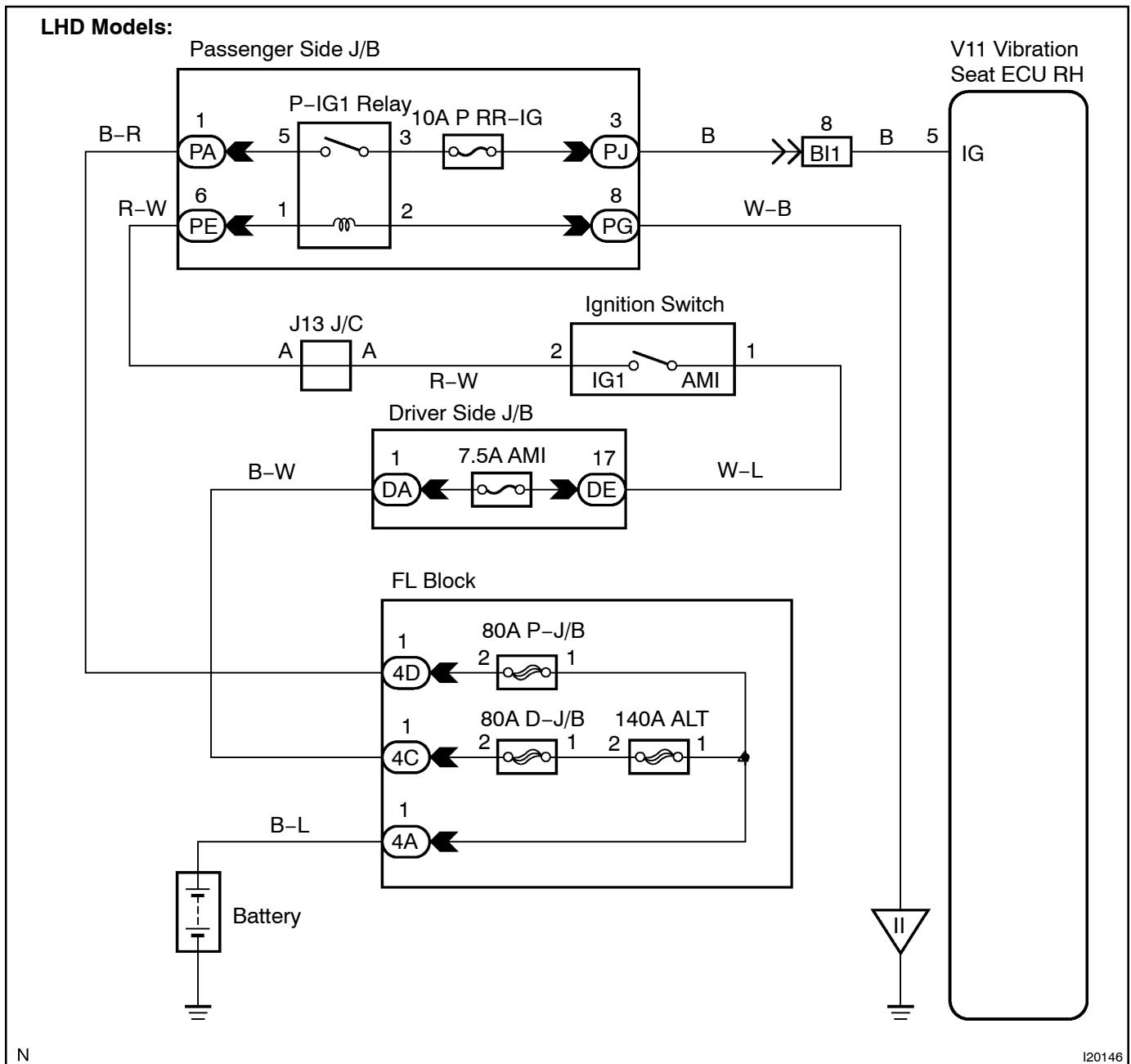


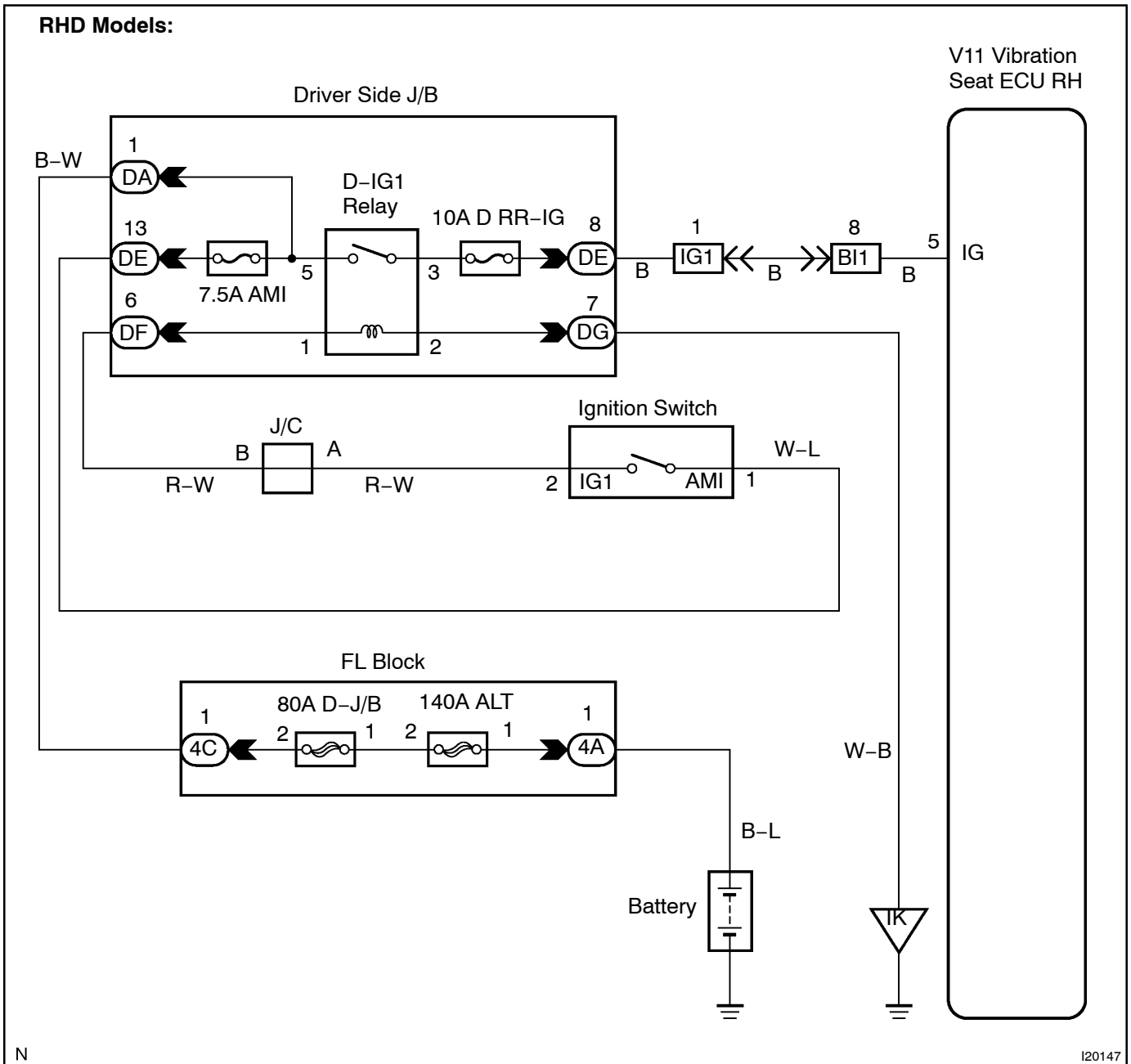
# Vibration Seat ECU Communication Circuit

## CIRCUIT DESCRIPTION

The Rear RH Seat ECU sends a command toward the Vibration Seat ECU to operate the vibration seat function.

## WIRING DIAGRAM





N

I20147

**INSPECTION PROCEDURE****1** Check RRIG fuse.**CHECK:**

Check continuity of RRIG fuse.

**OK:**

Continuity

NG

Replace the failure fuse.

OK

**2** Check voltage between terminals IG and GND of vibration seat ECU RH connector.**PREPARATION:**

- (a) Turn the ignition switch OFF.
- (b) Disconnect the vibration seat ECU RH connector.

**CHECK:**

Measure voltage between terminals IG and GND.

**OK:**

Voltage: 10 - 14 V

OK

Proceed to next circuit inspection shown on problem symptoms table (See page DI-765).

NG

**3** Check wireharness and connector between vibration seat ECU RH and body ground (See page IN-35).

NG

Repair or replace wireharness or connector.

OK

Proceed to next circuit inspection shown on problem symptoms table (See page DI-765).