

Slide Position Sensor Circuit

CIRCUIT DESCRIPTION

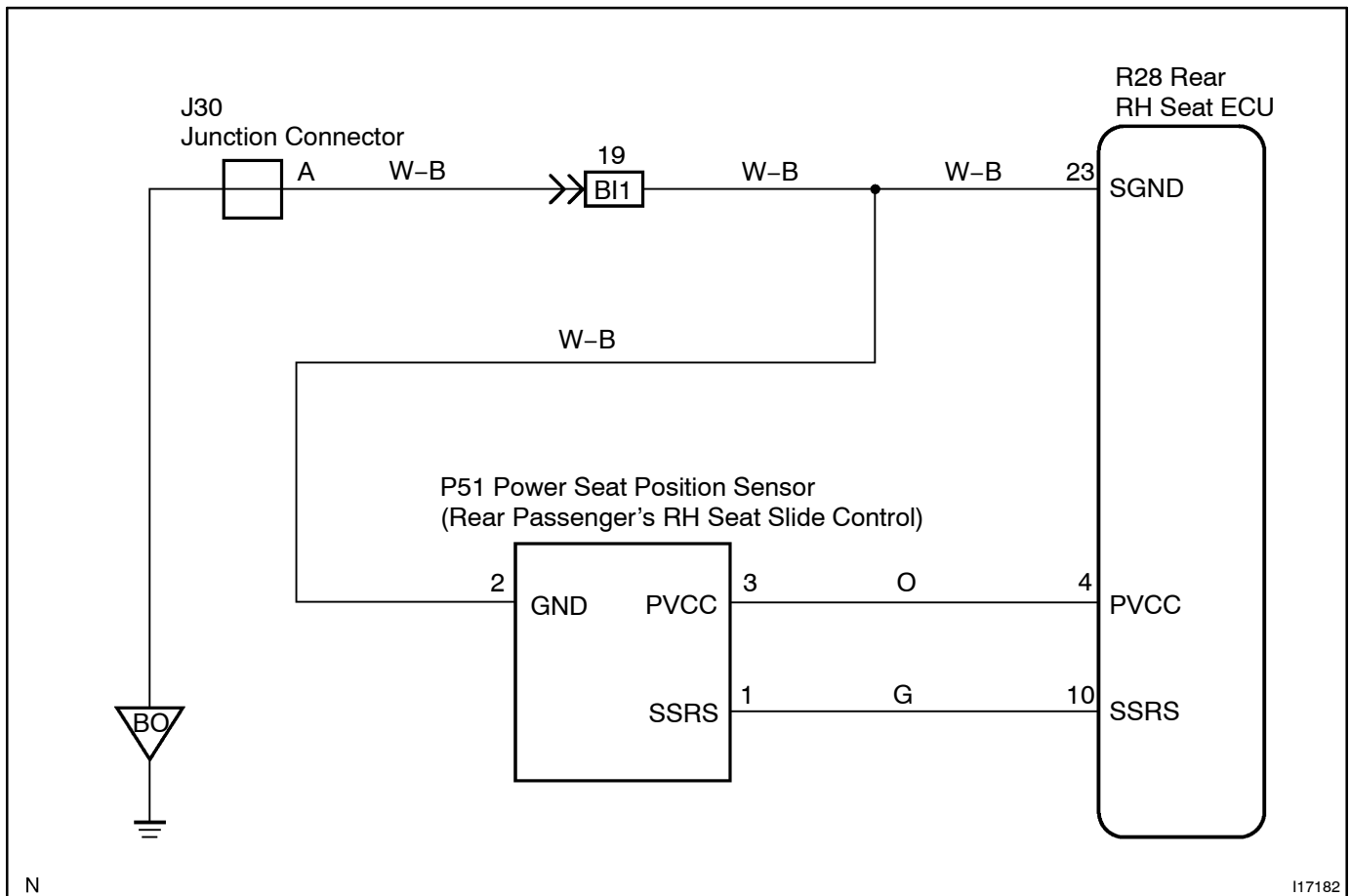
The position sensor senses movement of the seat and sends pulse signals to the ECU.

The position sensor sends pulses to the ECU in proportion to the amount of seat movement.

The ECU uses the number of pulses to constantly calculate the position relative to the memory position and returns the seat to the memorized position.

If a malfunction occurs in a position sensor and a sensor signal is not input to the ECU even when the motor operates, the ECU prohibits the return operation.

WIRING DIAGRAM



INSPECTION PROCEDURE

1 Check slide position sensor (See page BE-131).

NG

Replace power seat motor.

OK

2 Check harness and connectors between rear RH seat ECU and position sensors, sensors and body ground (See page N-35).

OK

Repair or replace harness or connectors.

NG

Check and replace rear RH seat ECU (See page N-35).