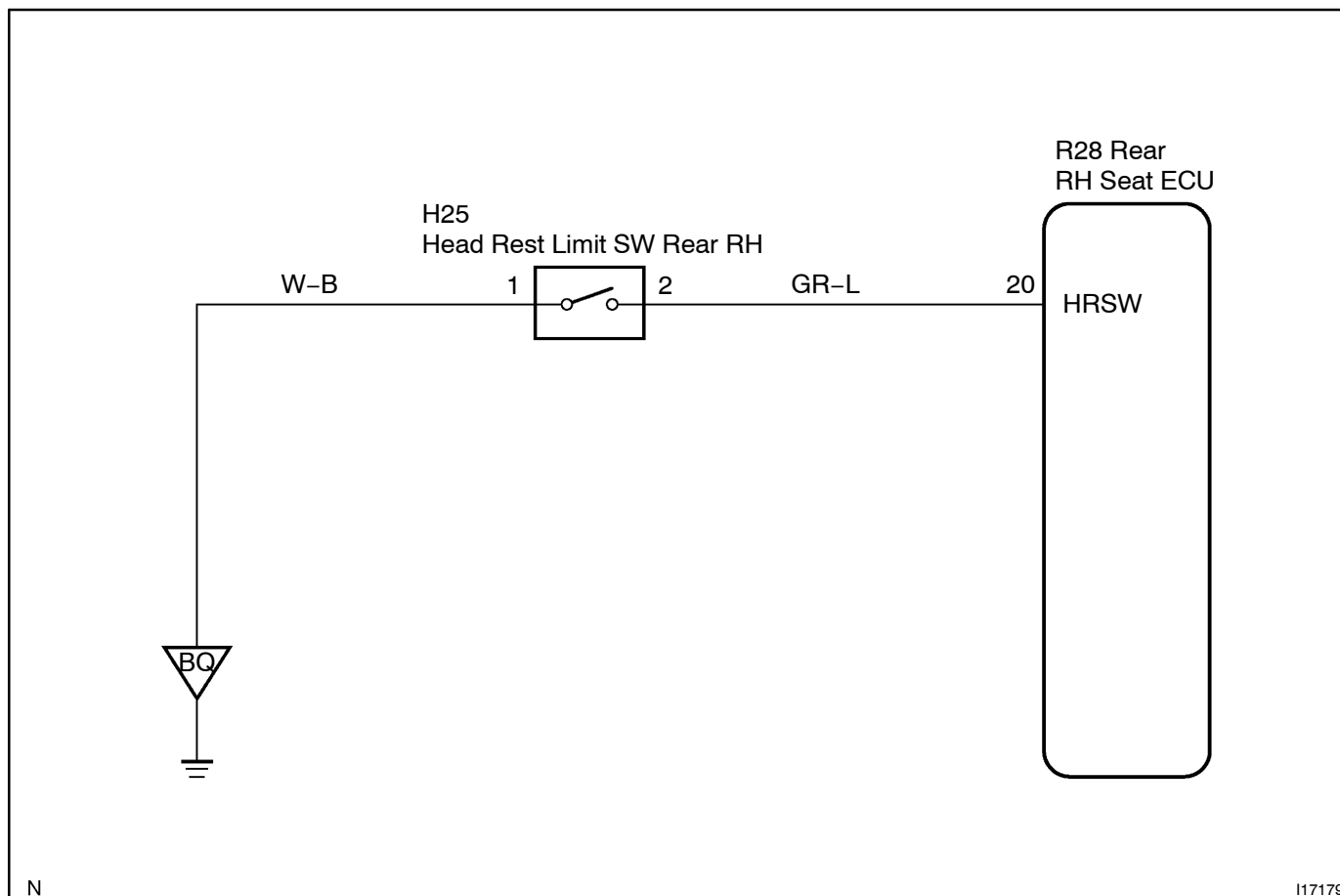


Headrest Limit Switch Circuit

CIRCUIT DESCRIPTION

The rear RH seat ECU is detecting the condition of the headrest limit switch.

WIRING DIAGRAM



INSPECTION PROCEDURE**HINT:**

In case of using the LEXUS hand-held tester, start the inspection from step 1 and in case of not using the LEXUS hand-held tester, start from step 2.

1 Check the headrest limit switch using LEXUS hand-held tester.

PREPARATION:

Connect the LEXUS hand-held tester to the DLC3.

CHECK:

Check the headrest limit switch using DATA LIST.

OK

Proceed to next circuit inspection shown on problem symptom table (See page DI-765).

NG

2 Check headrest limit switch (See page BE-131).

NG

Replace the limit switch.

OK

3 Check harness and connector between rear RH seat ECU and limit switch, limit switch and body ground (See page IN-35).

OK

Repair or replace harness or connector.

NG

Proceed to next circuit inspection shown in problem symptoms table (See page DI-765).