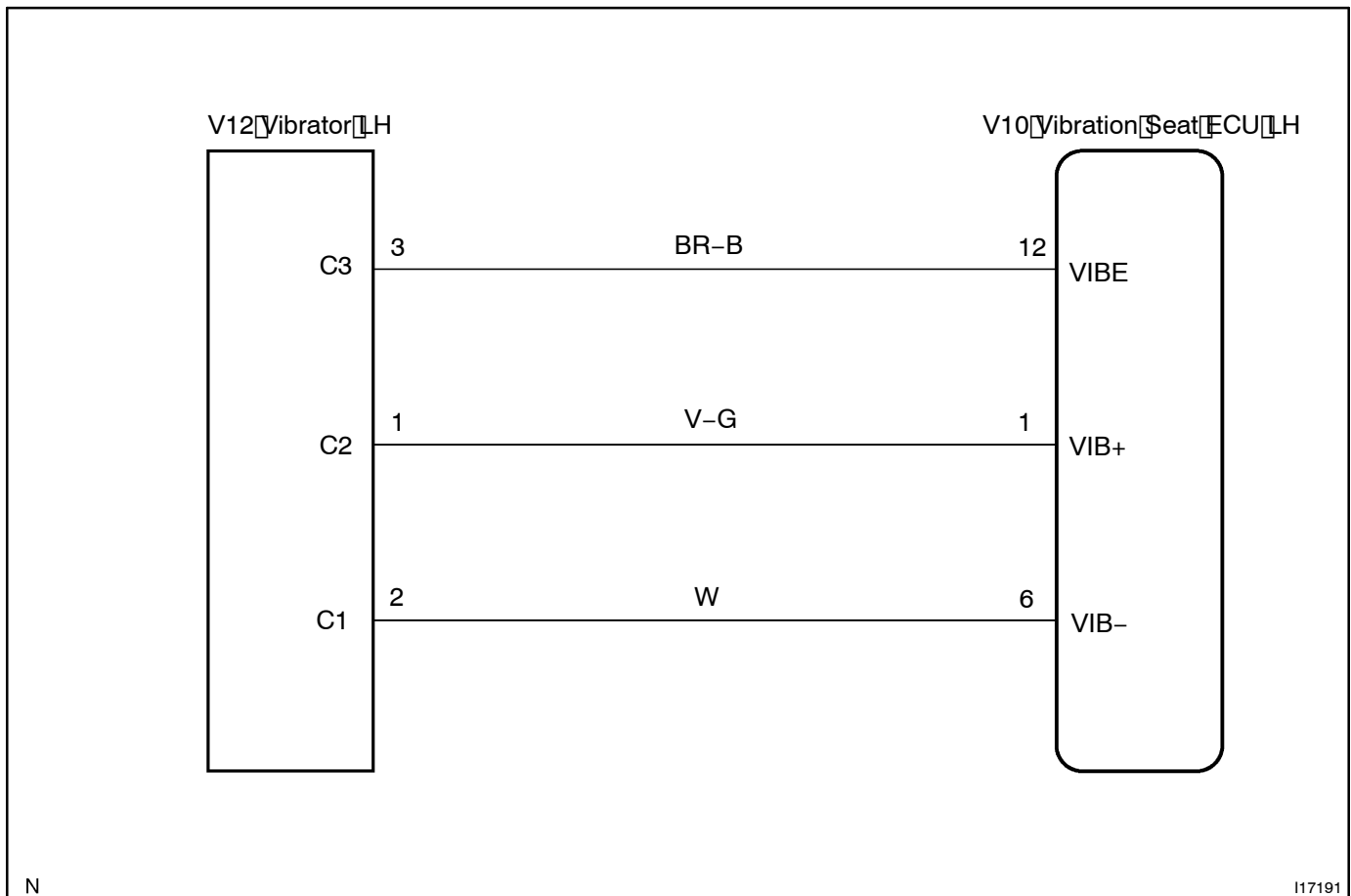


Vibrator Circuit

CIRCUIT DESCRIPTION

The Vibration Seat ECU sends an operation command toward the vibrator based on the vibration seat function command from the Rear Seat Control ECU.

WIRING DIAGRAM



INSPECTION PROCEDURE

- 1 Check vibrator (See page BE-131).

NG

Replace vibrator.

OK

2 Check harness and connector between vibration seat ECU LH and vibrator (See page IN-35).

OK

Repair or replace harness or connector.

NG

Proceed to next circuit inspection shown in problem symptoms table (See page IN-35).