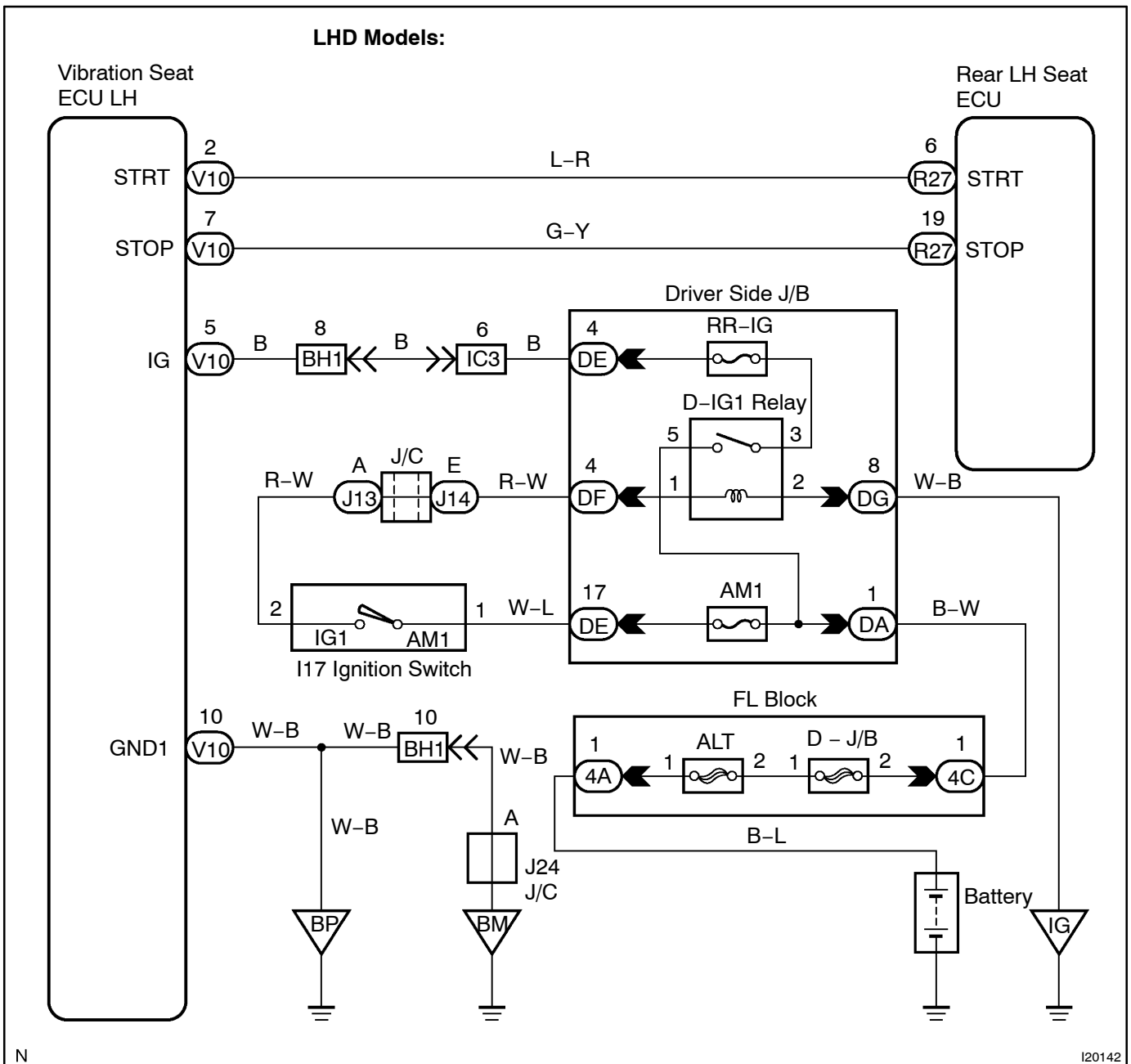


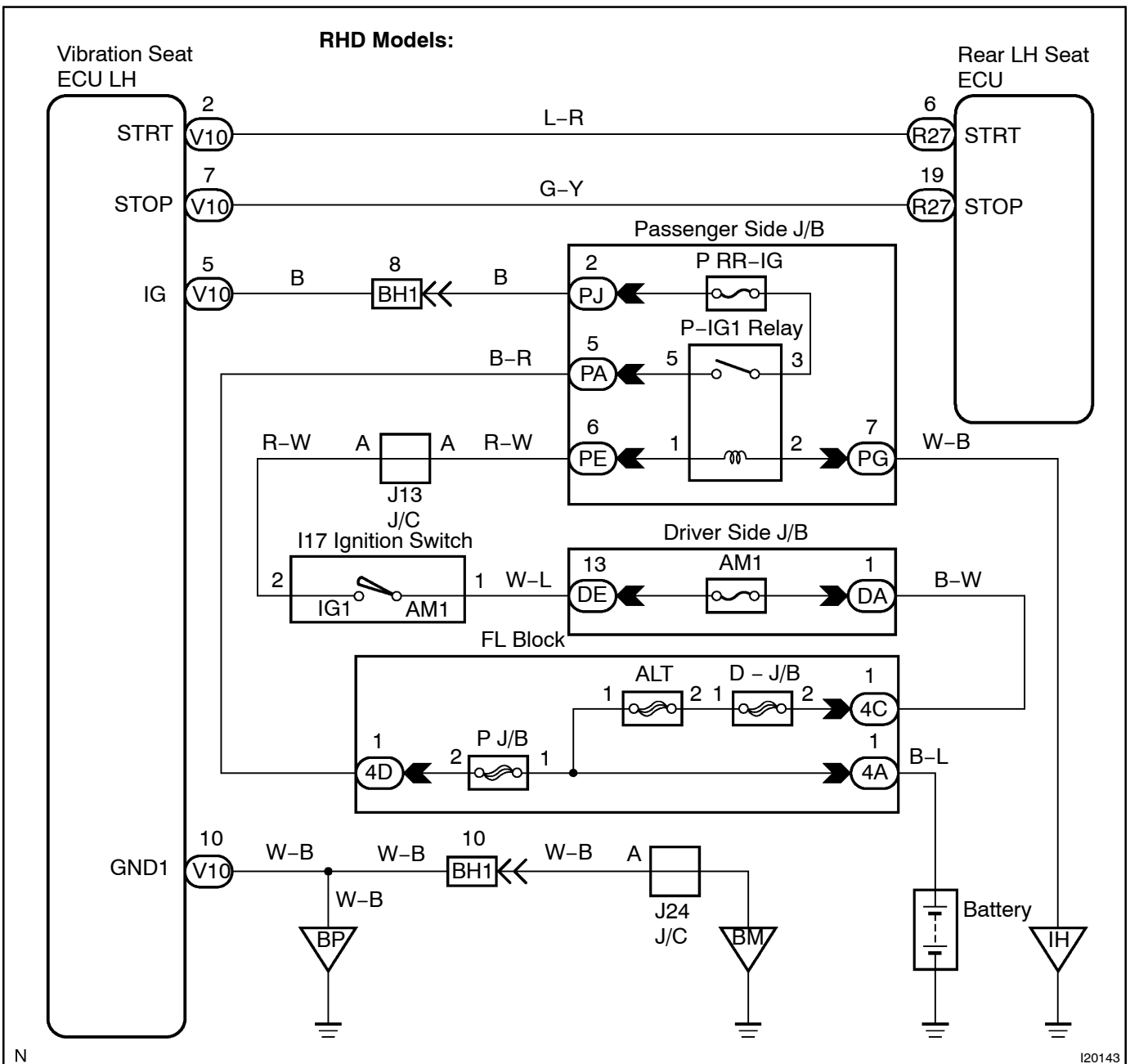
Vibration Seat ECU Communication Circuit

CIRCUIT DESCRIPTION

The Rear LH Seat ECU sends a command toward the Vibration Seat ECU to operate the vibration seat function.

WIRING DIAGRAM





N

I20143

INSPECTION PROCEDURE

1 Check wireharness and connector between rear LH seat ECU and vibration seat ECU (See page IN-35).

NG

Repair or replace wireharness or connector.

OK

Proceed to next circuit inspection shown on problem symptoms table (See page IN-35).