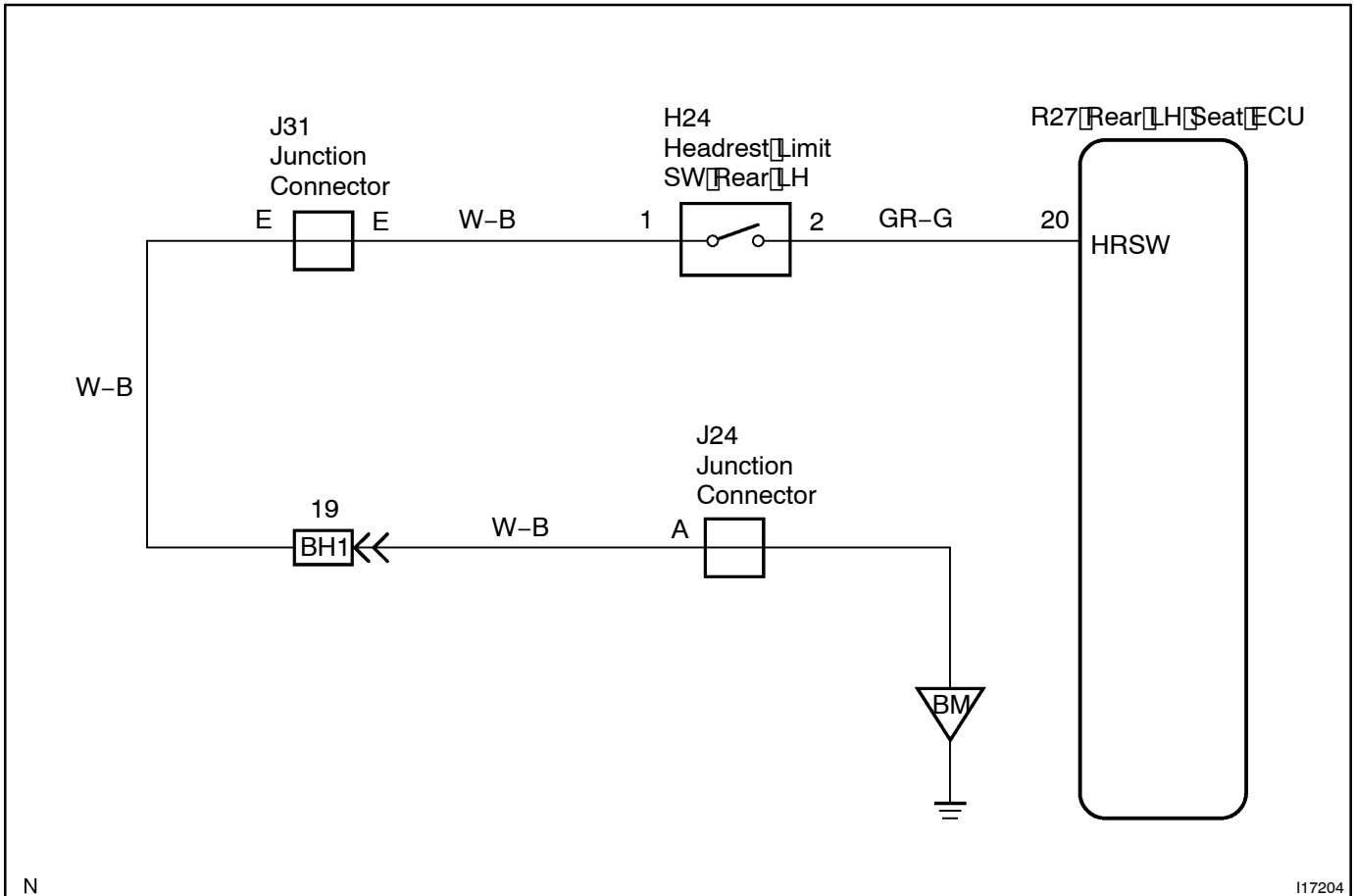


## Headrest Limit Switch Circuit

### CIRCUIT DESCRIPTION

The rear LH seat ECU is detecting the condition of the headrest limit switch.

### WIRING DIAGRAM



### INSPECTION PROCEDURE

HINT:

In case of using the LEXUS hand-held tester, start the inspection from step 1 and in case of not using the LEXUS hand-held tester, start from step 2.

- 1 Check headrest limit switch using LEXUS hand-held tester.

#### PREPARATION:

Connect the LEXUS hand-held tester to DLC3.

#### CHECK:

Check the headrest limit switch using DATA LIST.

OK

Proceed to next circuit inspection shown on problem symptom table (See page DI-742).

NG

LEXUS LS430 (RM792E)

2 Check headrest limit switch (See page BE-131).

NG

Replace limit switch.

OK

3 Check harness and connector between rear LH seat ECU and limit switch, limit switch and body ground (See page IN-35).

OK

Repair or replace harness or connector.

NG

Proceed to next circuit inspection shown in problem symptoms table (See page IN-35).