

Headrest Motor and Position Sensor Circuit

CIRCUIT DESCRIPTION

The Rear LH Seat ECU receives the headrest position signal of the rear power seat switch to operate the headrest power seat motor.

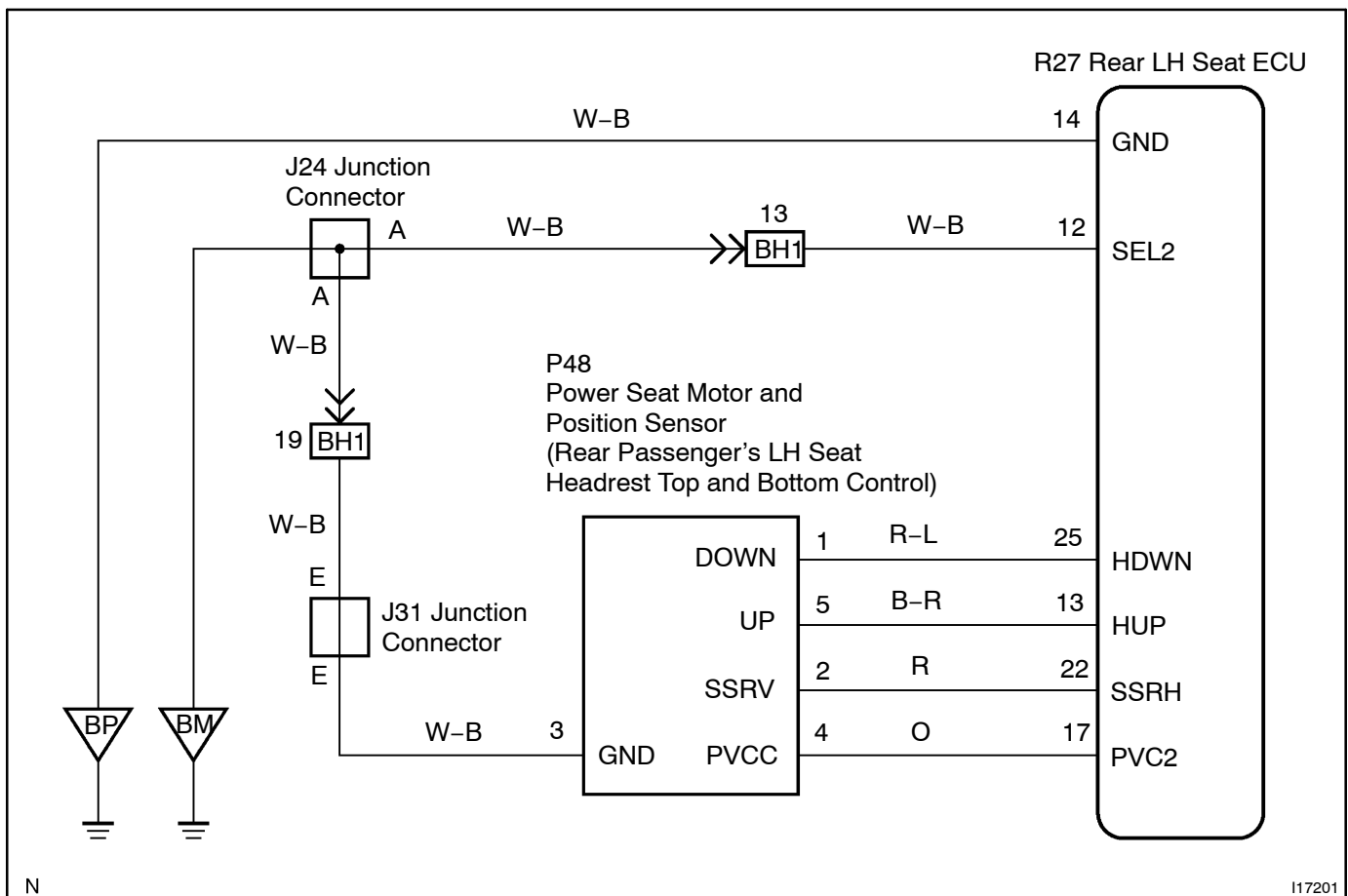
The position sensor senses movement of the seat and sends pulse signals to the ECU.

The position sensor sends pulses to the ECU in proportion to the amount of seat movement.

The ECU uses the number of pulses to constantly calculate the position relative to the memory position and returns the seat to the memorized position.

If a malfunction occurs in a position sensor and a sensor signal is not input to the ECU even when the motor operates, the ECU prohibits the return operation.

WIRING DIAGRAM



INSPECTION PROCEDURE**HINT:**

In case of using the LEXUS hand-held tester, start the inspection from step 1 and in case of not using the LEXUS hand-held tester, start from step 2.

1 Check headrest power seat motor using LEXUS hand-held tester.

PREPARATION:

Connect the LEXUS hand-held tester to DLC3.

CHECK:

Check the headrest power seat motor using ACTIVE LIST.

OK

Proceed to next circuit inspection shown on problem symptom table (See page DI-742).

NG

2 Check headrest power seat motor (See page BE-131).

NG

Replace motor.

OK

3 Check position sensor (See page BE-131).

NG

Replace power seat motor.

OK

4 Check harness and connectors between rear LH seat ECU and headrest motor and position sensors, sensors and body ground (See page IN-35).

OK

Repair or replace harness or connector.

NG

Check and replace rear LH seat ECU (See page IN-35).