

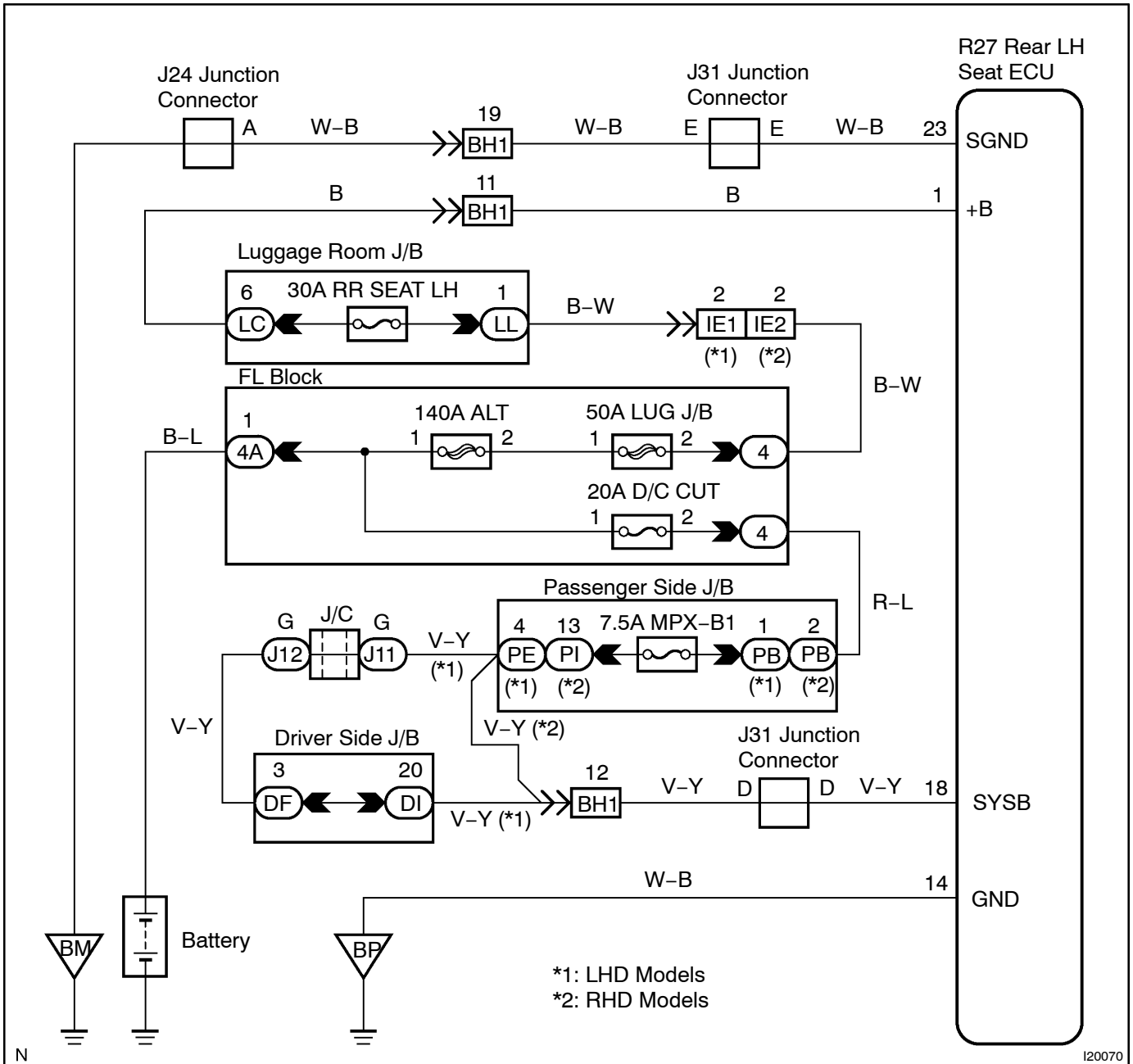
CIRCUIT INSPECTION

Power Source Circuit

CIRCUIT DESCRIPTION

This circuit provides power to operate the Rear LH Seat ECU.

WIRING DIAGRAM



INSPECTION PROCEDURE

1 Check RR SEAT LH and MPX-B1 fuse.

CHECK:

Check continuity of RR SEAT LH and MPX-B1 fuse.

OK:

Continuity

NG

Replace the failure fuse.

OK

2 Check voltage between terminals +B, SYSB and GND of rear LH seat ECU connector.

PREPARATION:

- (a) Turn the ignition switch OFF.
- (b) Disconnect the rear LH seat ECU connector.

CHECK:

Measure voltage between terminals +B, SYSB and GND.

OK:

Voltage: 10 - 14 V

OK

Proceed to next circuit inspection shown on problem symptoms table (See page DI-742).

NG

3 Check harness and connector between rear LH seat ECU and body ground (See page IN-35).

OK

Repair or replace harness or connector.

NG

Proceed to next circuit inspection shown on problem symptom table (See page DI-742).