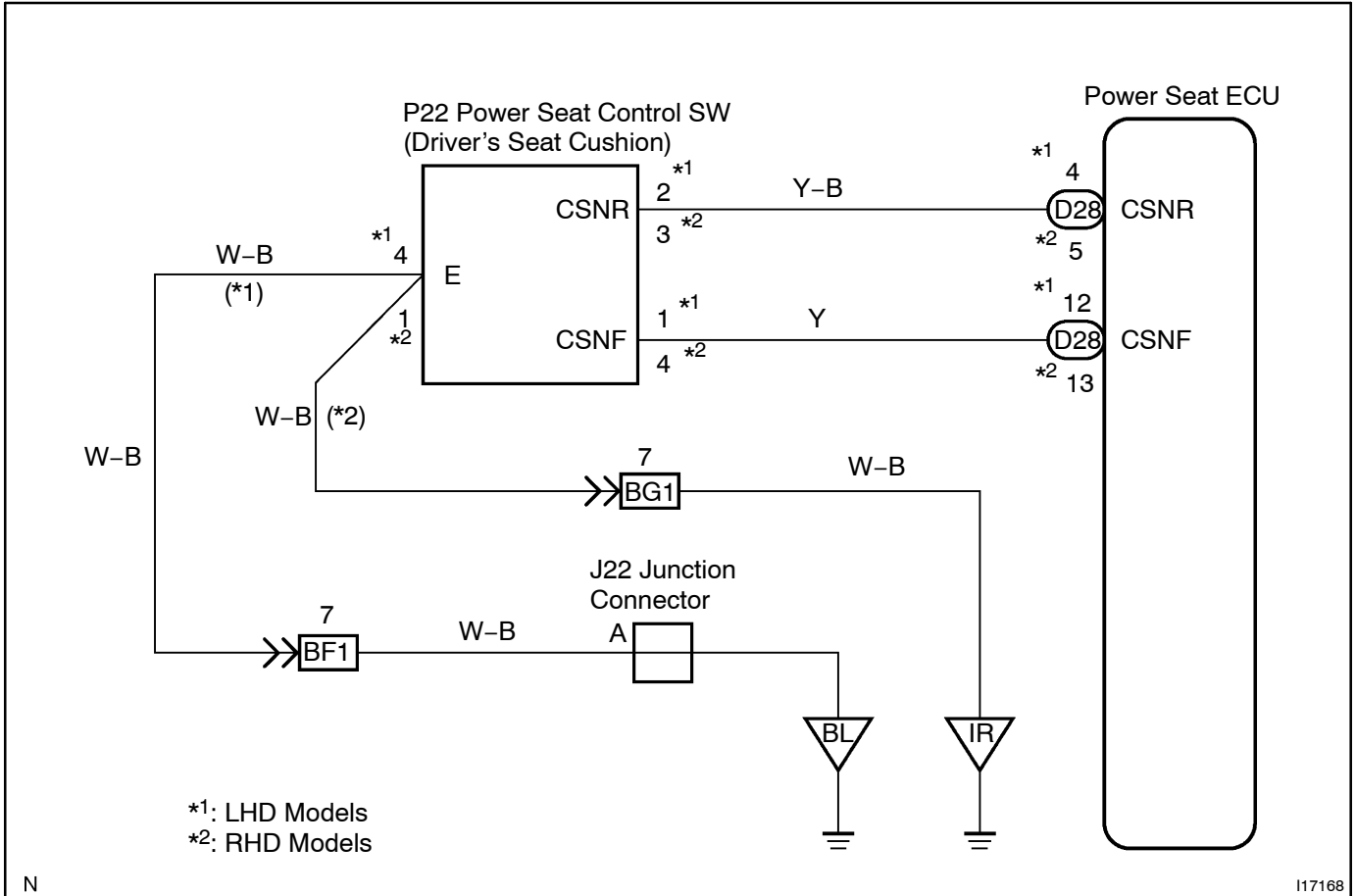


Power Seat Cushion Switch Circuit

CIRCUIT DESCRIPTION

Pressing the seat cushion switch activates the seat cushion motor.

WIRING DIAGRAM



INSPECTION PROCEDURE

1 Check power seat cushion switch (See page IN-35).

NG

Replace power seat cushion switch.

OK

2 Check harness and connectors between power seat ECU and power seat cushion switch (See page IN-35).

NG

Repair and replace harness or connector.

OK

Check and replace power seat ECU (See page IN-35).